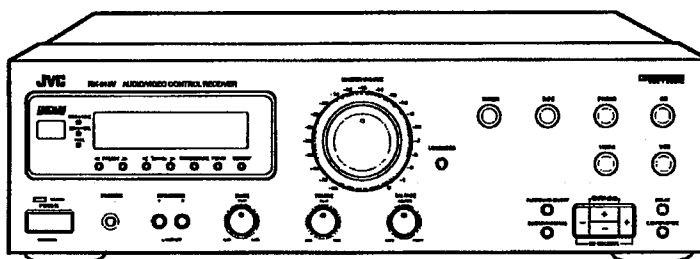
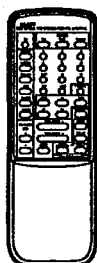


JVC

SERVICE MANUAL

AUDIO/VIDEO CONTROL RECEIVER

RX-518VBK



COMPU LINK
 Remote
 Control Component

Area Suffix

C Canada
 J the U.S.A

Contents

<i>Safety Precautions</i>	1-2	<i>Adjustment Procedures</i>	1-26
<i>Instruction Book</i>	1-3	<i>Block Diagrams</i>	1-29
<i>Description of Major ICs</i>	1-14	<i>Schematic Diagrams</i>	1-31
<i>Internal Connection of FL Display</i>	1-23	<i>Printed Circuit Boards</i>	1-34
<i>Disassembly Procedures</i>	1-24	<i>Parts List</i>	2-1

Safety Precautions

1. The design of this product contains special hardware and many circuits and components specially for safety purposes. For continued protection, no changes should be made to the original design unless authorized in writing by the manufacturer. Replacement parts must be identical to those used in the original circuits. Services should be performed by qualified personnel only.
2. Alterations of the design or circuitry of the product should not be made. Any design alterations of the product should not be made. Any design alterations or additions will void the manufacturer's warranty and will further relieve the manufacture of responsibility for personal injury or property damage resulting therefrom.
3. Many electrical and mechanical parts in the products have special safety-related characteristics. These characteristics are often not evident from visual inspection nor can the protection afforded by them necessarily be obtained by using replacement components rated for higher voltage, wattage, etc. Replacement parts which have these special safety characteristics are identified in the Parts List of Service Manual. Electrical components having such features are identified by shading on the schematics and by (Δ) on the Parts List in the Service Manual. The use of a substitute replacement which does not have the same safety characteristics as the recommended replacement parts shown in the Parts List of Service Manual may create shock, fire, or other hazards.
4. The leads in the products are routed and dressed with ties, clamps, tubings, barriers and the like to be separated from live parts, high temperature parts, moving parts and/or sharp edges for the prevention of electric shock and fire hazard. When service is required, the original lead routing and dress should be observed, and it should be confirmed that they have been returned to normal, after re-assembling.

5. Leakage current check (Electrical shock hazard testing)

After re-assembling the product, always perform an isolation check on the exposed metal parts of the product (antenna terminals, knobs, metal cabinet, screw heads, headphone jack, control shafts, etc.) to be sure the product is safe to operate without danger of electrical shock.

Do not use a line isolation transformer during this check.

- Plug the AC line cord directly into the AC outlet. Using a "Leakage Current Tester", measure the leakage current from each exposed metal parts of the cabinet, particularly any exposed metal part having a return path to the chassis, to a known good earth ground. Any leakage current must not exceed 0.5mA AC (r.m.s.).

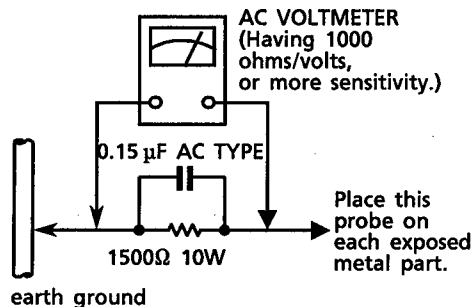
● Alternate check method

Plug the AC line cord directly into the AC outlet. Use an AC voltmeter having, 1,000 ohms per volt or more sensitivity in the following manner. Connect a 1,500 Ω 10 W resistor paralleled by a 0.15 μ F AC-type capacitor between an exposed metal part and a known good earth ground.

Measure the AC voltage across the resistor with the AC voltmeter.

Move the resistor connection to each exposed metal part, particularly any exposed metal part having a return path to the chassis, and measure the AC voltage across the resistor.

Now, reverse the plug in the AC outlet and repeat each measurement. Any voltage measured must not exceed 0.75 V AC (r.m.s.). This corresponds to 0.5 mA AC (r.m.s.).



Warning

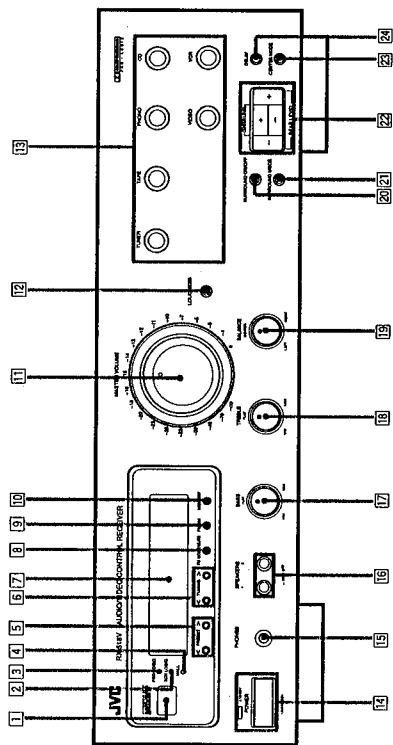
1. This equipment has been designed and manufactured to meet international safety standards.
2. It is the legal responsibility of the repairer to ensure that these safety standards are maintained.
3. Repairs must be made in accordance with the relevant safety standards.
4. It is essential that safety critical components are replaced by approved parts.
5. If mains voltage selector is provided, check setting for local voltage.

Instruction Book

Introduction

Become familiar with the buttons and controls on the receiver before use.

Switches, Buttons and Controls



Refer to the pages in parentheses for details.

Front Panel

- 1 Remote sensor
- 2 3CH LOGIC indicator (16, 17)
- 3 PRO LOGIC indicator (16, 17)
- 4 HALL indicator (14)
- 5 PRESET buttons (<->) (12)
- 6 TUNING buttons (<->) (12)
- 7 Display (9)
- 8 FM MODE/MUTE button (13)
- 9 FM/AM button (12)
- 10 MEMORY button (12)
- 11 MASTER VOLUME control (10)
- 12 LOUDNESS button (11)
- 13 Source selecting buttons (TUNER, TAPE, PHONO, CD, VIDEO, VCR) (9)
- 14 POWER button and STANDBY indicator (9)
- 15 PHONES jack (11)
- 16 SPEAKERS 1/2 buttons (10)
- 17 BASS control (10)
- 18 TREBLE control (10)
- 19 BALANCE control (10)
- 20 SURROUND ON/OFF button (14, 16, 17)
- 21 SURROUND MODE button (14, 16, 17)
- 22 CENTER LEVEL/REAR LEVEL buttons (+/-) (17)
- 23 CENTER MODE button (16)
- 24 DELAY button (16)

Remote Control

- 1 TV button (18)
- 2 Source selecting buttons (PHONO, VIDEO, FM/AM, CD, TAPE, VCR) (9, 18)
- 3 TV/VCR CH buttons (+/-) (18)
- 4 FADE MUTE button (11)
- 5 POWER buttons (TV, VCR, AUDIO) (9, 18)
- 6 10 keys (12, 18)
- 7 CD-DISC button (18)
- 8 Operating buttons for JVC audio/video components (18)
- 9 Surround adjustment buttons (14, 16, 17)
- 10 VOLUME buttons (+/-) (10)

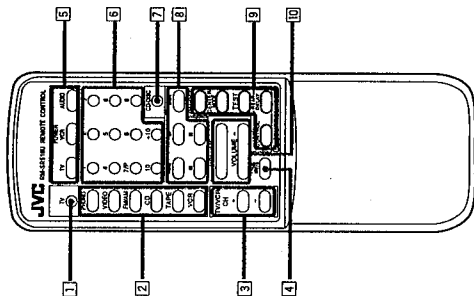


Table of Contents

- Introduction 2
- Switches, Buttons and Controls 2
- Getting Started 3
 - Before Installation 3
 - Checking the Supplied Accessories 3
 - Connecting the FM and AM Antennas 4
 - Connecting the Speakers 4
 - Connecting Audio/Video Components 5
 - Connecting Audio Components for the COMPU LINK-3 Remote Control System 7
 - Power Supply through the Receiver to a Connected Component 7
 - Connecting the Power Cord 8
 - Putting Batteries in the Remote Control 8
- Basic Operations 9
 - Turning the Power On and Off 9
 - Selecting the Source to Play 9
 - Selecting the Front Speakers 9
 - Adjusting the Volume 10
 - Adjusting the Front Speaker Output Balance 10
 - Adjusting the Tone 10
 - Listening at Low Volume (Loudness) 11
 - Muting the Sound 11
 - Recording a Source 11
 - Listening with Headphones 11
- Receiving Radio Broadcasts 12
 - Tuning in Stations Manually 12
 - Using the Preset Tuning 12
 - Selecting the FM Reception Mode 13
- Using the Surround Processor 14
 - Using JVC's Hall Surround 14
 - Preparing for Dolby Surround 16
 - Using Dolby Surround 17
- Using the Remote Control 18
- COMPU LINK Remote Control System 19
- Troubleshooting 20
- Specifications 21

Getting Started

This section explains how to connect stereo components and speakers to the receiver, and how to connect the power supply.

Before Installation

General

- Be sure your hands are dry.
- Turn the power off to all components.
- Read the manuals supplied with the components you are going to connect.

Locations

- Install the receiver in a location that is level and protected from moisture.
- The temperature around the receiver must be between 23° and 104° F (-5° and 40° C).
- Make sure there is good ventilation around the receiver. Poor ventilation could cause overheating and damage the receiver.

Handling the receiver

- Do not insert any metal object into the receiver.
- Do not disassemble the receiver or remove screws, covers, or cabinet.
- Do not expose the receiver to rain or moisture.

Checking the Supplied Accessories

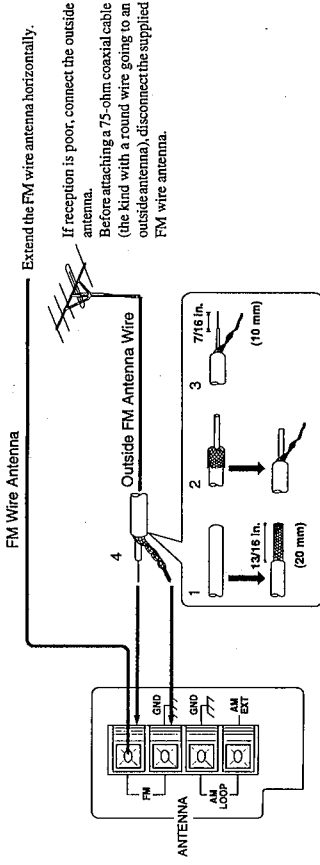
Check to be sure you have all of the following items, which are supplied with the receiver. The number in the parentheses indicates quantity of the pieces supplied.

- Remote Control (1)
- Batteries (2)
- AM Loop Antenna (1)
- FM Wire Antenna (1)

If anything is missing, contact your dealer immediately.

Connecting the FM and AM Antennas

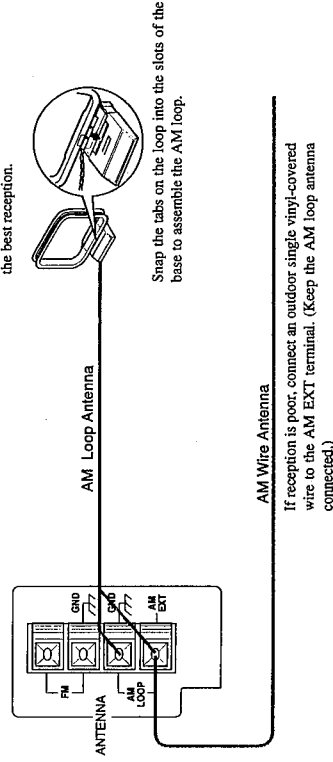
FM Antenna Connections



How to strip the 75-ohm coaxial cable and connect it to the FM terminals

1. Strip back the outside covering of the 75-ohm coaxial cable to expose the braided metallic mesh.
2. Pull the mesh back and twist into a single conductor as shown in the illustration above.
3. Strip the insulation about 7/16 inches (10 mm) back from the central wire.
4. Insert the twisted mesh and the central wire to the FM terminals, as shown in the illustration above.

AM Antenna Connections

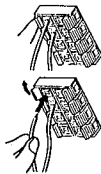
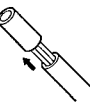


Note:
Make sure the antenna conductors do not touch any other terminals, connecting cords and power cord. This could cause poor reception.

Connecting the Speakers

You can connect the following speakers:

- Two sets of front speakers to produce normal stereo sound
- One set of rear speakers to enjoy the surround effect
- One center speaker to produce more effective surround effect (to make human voices outstanding)



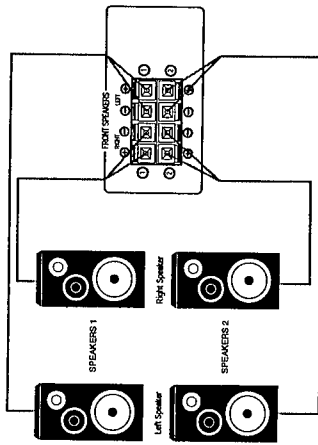
For each speaker, connect one end of the speaker signal cable (not supplied) to the speaker terminal on the rear panel and the other end to the speaker.

1. Open each terminal.
2. Insert the end of the speaker signal cable as shown (be sure to remove the insulation at the end of each wire first).
3. Close the terminals to clamp the speaker signal cables firmly in place.
4. Connect the black (-) and red (+) terminals on the rear panel to the black (-) and red (+) terminals marked on the speakers.

CAUTION:
Use speakers with the same impedance as marked near the terminals on the rear panel.

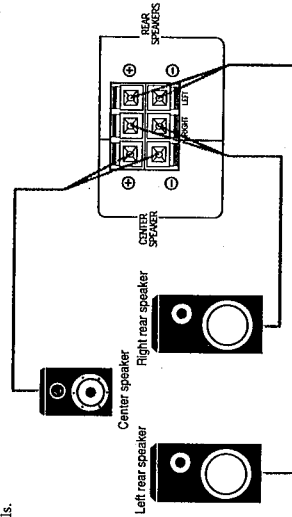
Connecting the front speakers

Connect the front speakers to the FRONT SPEAKERS terminals.



Connecting the rear and center speakers

Connect rear speakers to the REAR SPEAKERS terminals and a center speaker to the CENTER SPEAKER terminals.



Note:
When you connect rear speakers, make sure that both left and right speakers are connected; otherwise, no sound will come out of the rear speakers.

Connecting Audio/Video Components

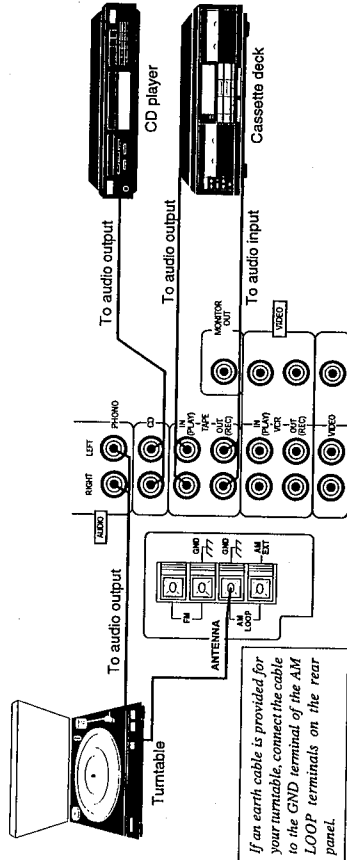
You can connect the following components to the receiver using cables with RCA pin plugs.

Audio Components	Video Components
• Turntable	• VCR
• CD player	• Video disc player
• Cassette deck	• TV

Notes:

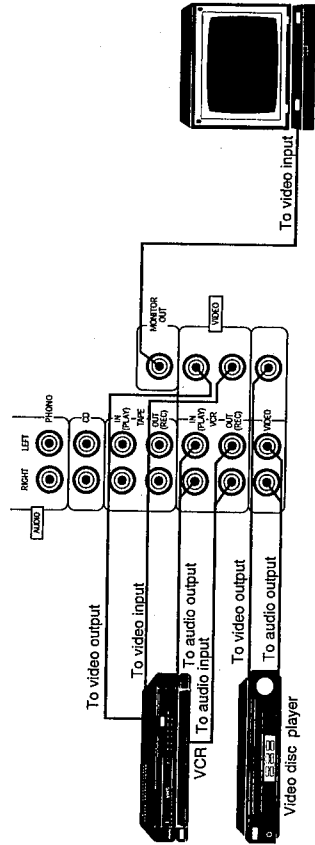
- Both plugs and jacks are color-coded; the red ones are for right audio signals, the white ones for left audio signals, and yellow ones for video signals.
- Any turntable incorporating a small-output cartridge such as an MC (moving-coil type) must be connected to this receiver through a commercial head amplifier or step-up transformer. Direct connection may result in insufficient volume.

Audio component connections



If an earth cable is provided for your turntable, connect the cable to the GND terminal of the AM LOOP terminals on the rear panel.

Video component connections



CAUTION:
If you connect a sound-increasing device such as a graphic equalizer between the source components and this receiver, the sound output through this receiver may be distorted.

Connecting the Power Cord

Before plugging the receiver into an AC outlet, make sure that all connections have been made. When the power cord is connected, the STANDBY indicator above the POWER button lights up.

Keep the power cord away from the connecting cables for the TV, VCR, and antenna. The power cord may cause noise or screen interferences. We recommend that you use a coaxial cable to connect the antenna, since it is well-shielded against interference.

- Notes:**
- A small amount of power is always consumed even in standby mode. To switch off the power completely, unplug the power cord from the AC outlet.
 - If the power cord is unplugged or a power failure occurs, preset settings will be erased in a few days.

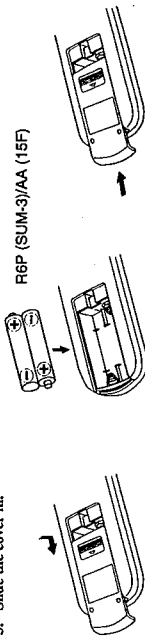
CAUTIONS:

- Do not touch the power cord with wet hands.
- Do not pull on the power cord to unplug the receiver. When unplugging the receiver, always grasp the plug itself so as not to damage the cord.

Putting Batteries in the Remote Control

Before using the remote control, put two supplied batteries first. When using the remote control, aim the remote control directly at the remote sensor on the receiver.

1. On the back of the remote control, press down on the battery cover and slide it out.
2. Insert batteries. Make sure to observe the proper polarity: (+) to (+) and (-) to (-).
3. Slide the cover in.



If the range or effectiveness of the remote control decreases, replace the batteries. Use two R6P (SUM-3)/AA (15F) type dry-cell batteries.

CAUTIONS:

Follow these precautions to avoid leaking or cracking cells:

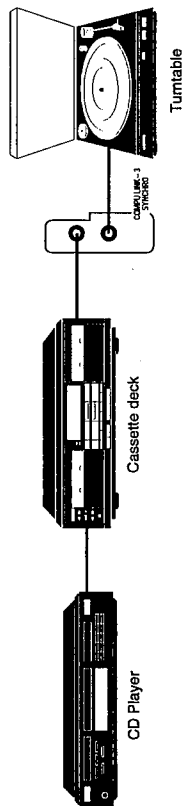
- Place batteries in the remote control so they match the polarity indicated: (+) to (+) and (-) to (-).
- Use the correct type of batteries. Batteries that look similar may differ in voltage.
- Always replace both batteries at the same time.
- Do not expose batteries to heat or flame.

Connecting Audio Components for the COMPU LINK-3 Remote Control System

The COMPU LINK-3 remote control system allows you to control other JVC audio components from the receiver or vice versa. To use this system, connect your JVC audio components and the receiver with the cable (monoaural mini-plug) supplied with those components.

If your audio component has two COMPU LINK-3 SYNCHRO jacks, you can use either one. If it has only one COMPU LINK-3 SYNCHRO jack, connect it so that it is the last item in the series of components. (for example, the turntable in the diagram below)

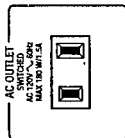
- Notes:**
- The COMPU LINK-3 remote control system is the upgraded version of the COMPU LINK-1 and COMPU LINK-2. Even if your component has the COMPU LINK-1 or COMPU LINK-2 jacks, you can still connect it in the COMPU LINK-3 remote control system, but some functions may not work correctly.
 - For more information about the COMPU LINK-3 (-1 and -2) remote control system, see page 19.



Power Supply through the Receiver to a Connected Component

You can use the AC outlet on the rear of the receiver to supply power to an audio component. This AC outlet is a "switched" outlet. So when the receiver is off (that is, in standby mode), power is not supplied through this outlet. By turning the receiver on and off, you can turn the connected component on and off at the same time.

Note:
Do not use the AC outlet on the rear of the receiver to supply power to the component in the COMPU LINK remote control system; otherwise, the COMPU LINK remote control system may not work correctly.

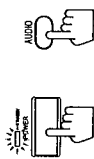


CAUTION:
Do not plug the component to the AC outlet on the rear if the maximum consumption is greater than indicated by the AC outlet.

Basic Operations

The following operations are commonly used when you play any sound source.

Turning the Power On and Off



On the front panel

From the remote control

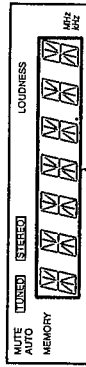
To turn on the power, press the POWER button on the front panel or the AUDIO button on the remote control. The STANDBY indicator goes off.

To turn off the power, press the POWER button or AUDIO button on the remote control again. The STANDBY indicator lights up.

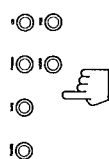
Selecting the Source to Play

You need to select the source to listen before you start playing any source.

Press one of the source selecting buttons so that the source name appears on the display.



Selected source name appears



On the front panel

On the front panel:

- TUNER** Listen to an FM or AM broadcast. You can also change the source to the tuner by pressing the FM/AM button.
- TAPE** Listen to the cassette deck connected to the TAPE jacks.
- PHONO** Listen to a record.
- CD** Listen to the CD player.
- VIDEO** View the video component connected to the VIDEO jacks.
- VCR** View the video component connected to the VCR jacks.

From the remote control:

- PHONO*** Listen to a record.
- VIDEO** View the video component connected to the VIDEO jacks.
- FM/AM*** Listen to an FM or AM broadcast.
- Each time you press the button, the band alternates between FM and AM.
- CD*** Listen to the CD player.
- TAPE*** Listen to the cassette deck connected to the TAPE jacks.
- VCR** View the video component connected to the VCR jacks.

Note:

* When you press one of the source selecting buttons on the remote control marked above with an asterisk, the receiver automatically turns on.

From the remote control

Selecting the Front Speakers

When you have connected two sets of front speakers, you can select which to use. Pressing in the SPEAKERS 1 or SPEAKERS 2 button activates the respective set of speakers.



To use the set of speakers connected to the FRONT SPEAKERS 1 terminals, press in the SPEAKERS 1 button (ON), and press out the SPEAKERS 2 button (OFF).

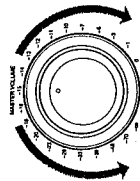
To use the set of speakers connected to the FRONT SPEAKERS 2 terminals, press in the SPEAKERS 2 button (ON), and press out the SPEAKERS 1 button (OFF).

To use both sets of speakers, press in both the SPEAKERS 1 and 2 buttons (ON). To use neither set of speakers, press out both the SPEAKERS 1 and 2 buttons (OFF).

Note:

When only one set of the front speakers is connected to either the FRONT SPEAKERS 1 or 2 terminals, do not press in both SPEAKERS 1 and 2 buttons (ON). If you do, no sound comes out of the front speakers.

Adjusting the Volume



On the front panel:

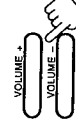
To increase the volume, turn the MASTER VOLUME control clockwise.

To decrease the volume, turn it counterclockwise.

From the remote control:

To increase the volume, press the VOLUME + button.

To decrease the volume, press the VOLUME - button.



On the front panel

From the remote control

CAUTION:

Always set the MASTER VOLUME control to the minimum before starting any source. If the MASTER VOLUME control is left turned up, the sudden blast of sound energy can permanently damage your hearing and/or ruin your speakers.

Adjusting the Front Speaker Output Balance



If the sounds you hear from the front right and left speakers are unequal, you can adjust the speaker output balance with the BALANCE control.

To decrease the left channel sound, turn the BALANCE control clockwise.

To decrease the right channel sound, turn the BALANCE control counterclockwise. When set to the CENTER position, no adjustment is applied.

Adjusting the Tone

You can increase or decrease the amount of bass and treble reinforcement.

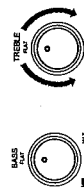
Adjusting the bass



To increase the bass reinforcement, turn the BASS control clockwise.

To decrease the bass reinforcement, turn the BASS control counterclockwise. When set to the FLAT position, no bass reinforcement is applied.

Adjusting the treble



To increase the treble reinforcement, turn the TREBLE control clockwise.

To decrease the treble reinforcement, turn the TREBLE control counterclockwise. When set to the FLAT position, no treble reinforcement is applied.

Listening at Low Volume (Loudness)



Human ears are not sensitive to bass at low volume. To compensate for this, the loudness function automatically boosts the bass level as you lower the volume.

To use the loudness function, press the LOUDNESS button on the front panel. The LOUDNESS indicator lights up on the display.

To turn the function off, press the LOUDNESS button again. The LOUDNESS indicator goes off.

Muting the Sound



You can easily turn down the volume by pressing the FADE MUTE button on the remote control.

To mute the sound through all speakers and headphones connected. Press the FADE MUTE button so that "MUTING" appears on the display and the VOLUME control turns down.

To cancel the mute, press the VOLUME + button (or the VOLUME - button) on the remote control.

Recording a Source

You can record any source playing through the receiver to the cassette deck connected to the TAPE jacks and the VCR connected to the VCR jacks at the same time. While recording, you can listen to the selected sound source at whatever sound and tone settings you like, without affecting the sound levels of the recording.

Note:
 • The output volume level, tone adjustments, as well as surround effects cannot affect the recording.

Listening with Headphones

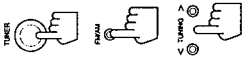
A standard pair of headphones can be connected to the PHONES jack on the front panel. Be sure to turn down the volume before connecting or putting on headphones, as high volume can damage both the headphones and your hearing.

To listen with only headphones
 Press out both the SPEAKERS 1 and 2 buttons (M OFF).

Receiving Radio Broadcasts

You can browse through all the stations or use the preset function to go immediately to a particular station.

Tuning in Stations Manually



1. Press the TUNER button on the front panel. The last received station of the last received band is tuned in.
2. Press the FM/AM button to select the band. Each time you press the FM/AM button, the band alternates between FM and AM.
3. Press the TUNING < or > button on the front panel repeatedly until you find the frequency you want. Pressing the TUNING > button increases the frequency. Pressing the TUNING < button decreases the frequency.

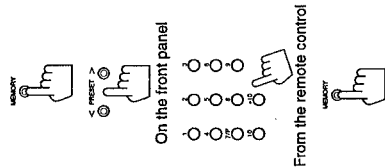
Notes:

- You do not have to press the TUNER button to change the source to the tuner in Step 1. Pressing the FM/AM button in Step 2 can also change the source to the tuner.
- When you hold down the TUNING < or > button, the frequency keeps changing until you press the TUNING < or > button again or a station is tuned in.
- When a station of sufficient signal strength is tuned in, the TUNED indicator lights up on the display.
- When an FM stereo program is received, the STEREO indicator also lights up.

Using the Preset Tuning

Once a station is assigned to a channel number, the station can be quickly tuned. You can preset up to 40 stations at random. In some cases, test frequencies have been already memorized for the receiver since the factory examined the preset function before shipment. This is not a malfunction. You can preset the stations you want into memory by following the presetting method.

Storing the preset stations



1. Tune in the station you want to preset (see above).
2. Press the MEMORY button on the front panel. "----CH" and the MEMORY indicator appear on the display for 5 seconds.
3. Select a channel number within the 5 seconds. On the front panel: Press the PRESET < or > button. Pressing the PRESET > button increases the channel number. Pressing the PRESET < button decreases the channel number. From the remote control: Press the 10 keys. Examples: For channel number 5, press 5. For channel number 15, press +10 then 5. For channel number 20, press +10 then 10.

Note:
 When you use the remote control, be sure that the 10 keys are activated for tuner, not for the CD. (See page 18.)

4. Press the MEMORY button again while the selected channel number is flashing on the display. The selected channel number stops flashing and the MEMORY indicator goes off, and the station is assigned to the selected channel number.

To cancel a stored preset station
 Storing a new station on a used number erases the previously stored one.

CAUTION:
 Preset stations may be erased when power is cut off to the receiver, as when it is unplugged from the AC outlet or a power failure occurs. If the preset stations are lost, simply set the stations again using the above procedure.

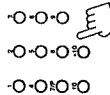
Tuning in a Preset Station

On the front panel:

1. Press the **TUNER** button.
The last received station of the last received band is tuned in.
2. Press the **PRESET < or >** button to select a preset channel number.
Pressing the **PRESET >** button changes preset channels in increasing order.
Pressing the **PRESET <** button changes preset channels in decreasing order.



On the front panel



From the remote control

From the remote control:

1. Press the **FM/AM** button.
The last received station of the last selected band is tuned in.
Each time you press the button, the band alternates between FM and AM.
2. Press the **10** keys to select a preset channel number.
Examples: For channel number 5, press 5. For channel number 15, press +10 then 5.
For channel number 20, press +10 then 10.

Note: When you use the remote control, be sure that the 10 keys are activated for tuner, not for the CD. (See page 18.)

Selecting the FM Reception Mode

You can change the FM reception mode so that reception will be improved.

When an FM stereo broadcast is hard to receive or noisy

Press the **FM MODE/MUTE** button on the front panel. The **MUTE AUTO** indicator goes off on the display. Reception will be improved although you will lose the stereo effect. In this mode, you will hear noise while tuning into the stations.



To restore stereo effect

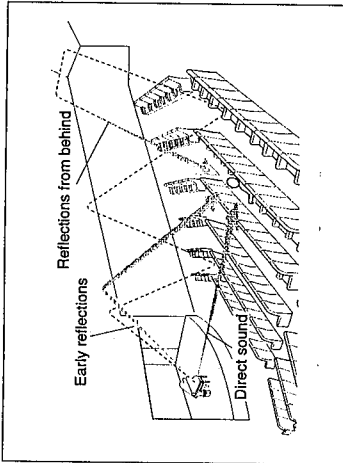
Press the **FM MODE/MUTE** button again so that the **MUTE AUTO** indicator lights up on the display. In this mode, when a program is broadcast in stereo, you will hear stereo sound; when in monaural, you will hear monaural sounds. This mode is also useful to suppress static noise between stations.

Using the Surround Processor

The built-in surround processor provides three types of surround programs — Dolby Pro Logic, Dolby Channel Logic, and JVC's Hall Surround.

What is surround?

The sound heard in a concert hall or a movie theater consists of direct sound and indirect sound: early reflections and reflections from behind. The reflected sounds are always delayed by the distances of the ceiling and walls from the listener. These reflections are some of the most important elements of the acoustic surround.



On JVC's Hall Surround

In order to reproduce a more realistic sound field in your listening room while playing an ordinary stereo source, JVC's Hall Surround has been designed to give you clear vocals and to create the feeling of a concert hall. The sound is reproduced through the front speakers and rear speakers.

On Dolby Surround

Dolby Surround has been also developed to reproduce the important elements of the acoustic surround at home. To watch the soundtracks of video software bearing the mark "Dolby Surround" which includes the same encoded surround information as found in Dolby Stereo films, the receiver can provide you with 2 Dolby Surround programs (Dolby Pro Logic and Dolby 3ch Logic).

Dolby Pro Logic: Select this mode when the optional rear speakers are connected.
Dolby 3ch Logic: Select this mode when a center speaker is connected without rear speakers.

* Manufactured under license from Dolby Laboratories Licensing Corporation. Additionally licensed under Canadian patent number 1,037,877. "Dolby", "Pro Logic" and the double-D symbol are trademarks of Dolby Laboratories Licensing Corporation.

Notes:

- The surround processor has no effect on monaural sources.
- The surround processor cannot be used for recording.

Using JVC's Hall Surround

You need to connect one set of rear speakers to obtain the full effect.



1. Press the **SURROUND ON/OFF** button (or the **ON/OFF** button on the remote control).
One of the surround program indicators (**PRO LOGIC**, **3CH LOGIC**, or **HALL**) lights up on the display.

2. Press the **SURROUND MODE** button (or the **MODE** button on the remote control) repeatedly until the **HALL** indicator lights up on the display.

To cancel Hall Surround, press the **SURROUND ON/OFF** button (or the **ON/OFF** button on the remote control) again.

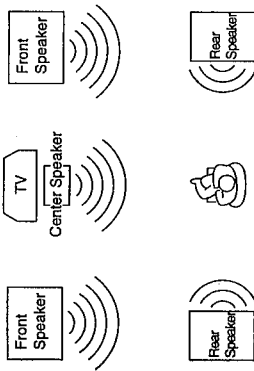
Note:

You can also adjust the delay time (see Step 4 on page 16) and the sound level of the rear speakers (see Step 6 on page 17) for Hall Surround. Once you have adjusted the delay time for the Hall Surround, the receiver memorizes the setting.

Speaker arrangements for Dolby Surround

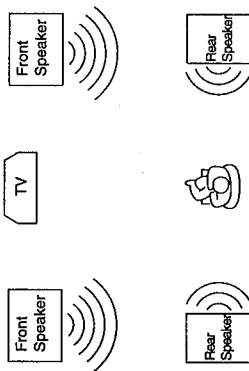
The following illustrations show how to obtain the optimum sound environment for various Dolby Surround settings. Try to find the speaker direction and location to create the optimum sound field.

CASE 1 When you have added a center speaker and rear speakers



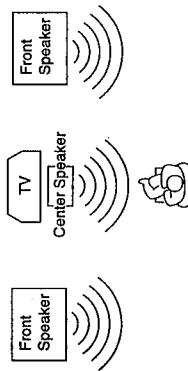
- In this case:**
1. Select PRO LOGIC.
 2. Select NORMAL or WIDE for center mode.
- See pages 16 and 17 for more details.

CASE 2 When you have added rear speakers



- In this case:**
1. Select PRO LOGIC.
 2. Select PHANTOM for center mode.
- See pages 16 and 17 for more details.

CASE 3 When you have added a center speaker (without rear speakers)

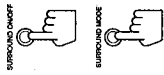


- In this case:**
1. Select 3CH LOGIC.
 2. Select NORMAL or WIDE for center mode.
- See pages 16 and 17 for more details.

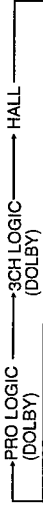
Preparing for Dolby Surround

The receiver memorizes two sets of Dolby Surround adjustments; one for Pro Logic and the other for 3ch Logic. However, the sound levels of center and rear speakers cannot be stored separately.

1. Press the **SURROUND ON/OFF** button (or the **ON/OFF** button on the remote control).
One of the surround program indicators lights up on the display.

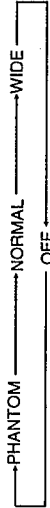


2. Press the **SURROUND MODE** button (or the **MODE** button on the remote control).
Each time you press the button, the surround program changes as follows:



PRO LOGIC: Select this mode when you use the rear speakers
3CH LOGIC: Select this mode when you use no rear speakers
HALL: This is JVC's original surround program, and is different from Dolby Surround. To use this, see page 14.

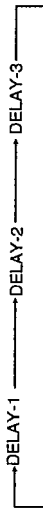
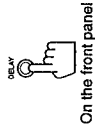
3. Press the **CENTER MODE** button on the front panel.
Each time you press the **CENTER MODE** button, the mode changes as follows.



PHANTOM: Select this mode when you have not connected a center speaker.
NORMAL: Select this mode when the size of the center speaker is smaller than that of the front speakers.
WIDE: Select this mode when the size of the center speaker is the same as that of the front speakers.
OFF: Select this mode to shut off the output of the center channel signal.

Note:
When you have selected 3CH LOGIC in Step 2 above, you cannot select PHANTOM.

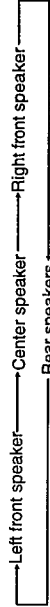
4. Press the **DELAY** button to set the delay time of the delayed sound.
Each time you press the button, the delay time changes among 3 levels.



DELAY-1: When your distance to your rear speakers is greater than that to the front speakers.
DELAY-2: When your distance to your rear speakers is almost equal to that to the front speakers.
DELAY-3: When your distance to your rear speakers is less than that to the front speakers.

Note:
When you have selected 3CH LOGIC in Step 2 above, you cannot adjust the delay time.

5. Press the **TEST** button on the remote control to check your setting.
When you press the button, "TEST" starts flashing and a test tone comes out of the speakers in the following order:

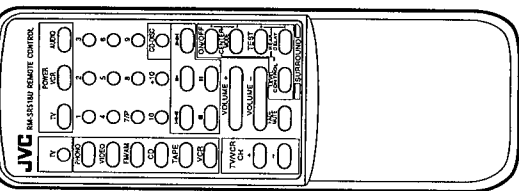


Notes:

- No test tone comes out of the rear speakers when you have selected 3CH LOGIC.
- No test tone comes out of the center speaker when you select PHANTOM or OFF for the center mode.

Using the Remote Control

You can operate JVC's audio and video components with this receiver's remote control, since control signals for VCR components are preset in the remote control. To operate these components with the remote control, first select a source with the source selecting buttons on the remote control. Then, operate that source using the remote control.



Note:
If you choose a source on the front panel directly, the remote control will not operate that source. To operate a source with the remote control, the source must be selected using buttons on the remote control.

After pressing the FM/AM button, you can perform the following operations:
 FM/AM Alternates between FM and AM.
 1 - 10, +10 Selects a preset channel number directly.
 To select channel number 5, press 5. For channel number 15, press +10, then 5. For channel number 20, press +10, then 10.

After pressing the CD button, you can perform the following operations on a CD player:
 Starts playing
 Returns to the beginning of the current (or previous) track
 Skips to the beginning of the next track
 Stops playing
 Pauses
 Selects a track number directly
 To select track number 5, press 5. For track number 15, press +10, then 5. For track number 20, press +10, then 10.

After pressing the TAPE button, you can perform the following operations on a cassette deck:
 Starts playback
 Fast winds a tape from right to left
 Fast winds a tape from left to right
 Stops operation
 Pauses
 Selects a track number directly
 To select track number 5, press 5. For track number 15, press +10, then 5. For track number 20, press +10, then 10.

After pressing the VCR button, you can perform the following operations on a VCR:
 Starts playback
 Rewinds a video tape
 Fast winds a video tape
 Stops operation
 Pauses
 TV/VCR CH+/- Changes TV channels on a VCR

Note:
While you are playing the source other than VCR—such as the CD player or cassette deck, you cannot operate the VCR using the remote control.

After pressing the TV button (located at the leftmost portion of the remote control, not the one in the POWER section), you can perform the following operations on TV:
 TV/VCR CH+/- Changes TV channels

Notes:
 • When you press the TV button (located at the upper leftmost portion of the remote control, not the one in the POWER section), the TV's input mode changes to TV.
 • You can also turn the VCR or TV on and off by pressing the VCR or TV button in the POWER section of the remote control.

After pressing the CD-DISC button, you can perform the following operations on a CD player-changer:
 Select the number of a disc installed in a CD player-changer. Then continue to operate the CD player as described above.

Note:
 If you have the CD player-changer XL-MC100C and XL-MC100M, 1 - 6 buttons function as the DISC SKIP button.
 • Press 2, 4, or 6 to skip to the next disc.
 • Press 1, 3, or 5 to skip back to the previous disc.

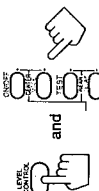
6. Set the levels of the center and rear speakers.
 On the front panel:

Press the CENTER LEVEL +/- button to set the sound level of the center speaker.
 Press the REAR LEVEL +/- button to set the sound level of the rear speakers.

From the remote control:
 Press the CENTER +/- button while pressing the LEVEL CONTROL button to set the sound level of the center speaker.
 Press the REAR +/- button while pressing the LEVEL CONTROL button to set the sound level of the rear speakers.



On the front panel



From the remote control


- Notes:**
- You can adjust these levels in 1dB steps within the range of ±10 dB. The sound levels of the left and right rear speakers will be the same.
 - You cannot set the sound level of the rear speakers when you have selected 3CH LOGIC.
 - You cannot set the sound level of the center speaker when you select PHANTOM or OFF for the center mode.
 - Although the sound levels of the center and rear speakers can be stored, they are not stored separately for each surround program.

7. Press the TEST button on the remote control again to finish the preparation.
 The test tone stops.



Using Dolby Surround

Once you have set the Dolby Surround adjustments you can use the same adjustments every time you want to enjoy Dolby Surround.

- Press the SURROUND ON/OFF button (or the ON/OFF button on the remote control) so that one of the surround program indicator lights up on the display.
- Press the SURROUND MODE button (or the MODE button on the remote control) repeatedly if the surround program indicator (PRO LOGIC or 3CH LOGIC) you want does not light up. Each time you press the button, the display changes to show the following:
 PRO LOGIC (DOLBY) → 3CH LOGIC (DOLBY) → HALL
- Play a sound source which was processed with Dolby Surround and is labeled with  mark.



To cancel Dolby Surround, press the SURROUND ON/OFF button (or the ON/OFF button on the remote control) again.

COMPU LINK Remote Control System



The COMPU LINK remote control system allows you to operate JVC audio components through the remote sensor on the receiver.

To use this remote control system, you need to connect JVC audio components through the COMPU LINK-3 SYNCHRO jacks (see page 7) in addition to the connections using cables with RCA pin plugs (see page 6). This remote control system allows you to use four functions listed below.

■ Remote Control through the Remote Sensor on the Receiver

You can control all audio components through the remote sensor on the receiver using this remote control. For details, see page 18.

Note:

Aim the remote control directly at the remote sensor on the receiver.

■ Automatic Source Selection

When you press the play (▶) button on a connected component or on its own remote control, the receiver automatically turns on and changes the source to the component. On the other hand, if you select a new source on the receiver or the remote control, the selected component begins playing immediately.

In both cases, the previously selected source continues playing without sound for a few seconds.

■ Automatic Power On/Off (only possible with the COMPU LINK-3 connection)

Both the CD player and cassette deck turn on and off with the receiver.

When you turn on the receiver, the CD player or cassette deck will turn on automatically, depending which component has been previously selected.

When you turn off the receiver, both the CD player and cassette deck will turn off.

■ Synchronized Recording

Synchronized recording means the cassette deck starts recording as soon as a CD or record begins playing.

To use synchronized recording, follow these steps:

- 1 Put a tape in the cassette deck, and a disc in the CD player (or a record on the turntable).
- 2 Press the record (●) button and the pause (||) button on the cassette deck at the same time. This puts the cassette deck into recording pause.

Note:

If you do not press the record (●) button and pause (||) button at the same time, the synchronized recording feature will not operate.

3 Press the play (▶) button on the CD player or on the turntable.

The source changes on the receiver, and as soon as play starts, the cassette deck starts recording. When the play ends, the cassette deck enters recording pause, and stops 4 seconds later.

Notes:

- During synchronized recording, the selected source cannot be changed.
- If your CD player is playing in program mode, a 4-second blank is recorded between tracks so that the music scan feature of your cassette deck can be used on the recorded tape.
- If the power of any component is shut off during synchronized recording, the COMPU LINK remote control system may not operate properly. In this case, you must start again from the beginning.
- Refer also to the manuals supplied with your CD player and cassette deck.

Troubleshooting

Use this chart to help you solve daily operational problems. If there is any problem you cannot solve, contact your JVC service center.

PROBLEM	POSSIBLE CAUSE	SOLUTION
The display does not light up	The power cord not plugged in	Plug the power cord into an AC outlet
No sound from speakers	Speaker signal cables not connected	Check speaker wiring and reconnect if necessary
	The SPEAKERS buttons are not set correctly	Press the SPEAKERS buttons in or out correctly
	An incorrect source is selected	Select the correct source
Sound from one speaker only	Speaker signal cables are not connected properly	Check speaker wiring and reconnect if necessary
	The BALANCE control is set to one extreme	Adjust the BALANCE control properly
Continuous hiss or buzzing during FM reception	Incoming signal is too weak	Connect an outside FM antenna or contact your dealer
	The station is too far away	Select a new station
	An incorrect antenna is used	Check with your dealer to be sure you have a correct antenna
	Antennas are not connected properly	Check connections
Occasional cracking noise during FM reception	Ignition noise from automobiles	Move the antenna farther from automobile traffic
Howling during record playing	Your turntable is too close to speakers	Move speakers away from the turntable
Remote control does not work	There is an obstruction in front of the remote sensor on the receiver	Remove the obstruction
	Batteries are weak	Replace batteries

Specifications

Amplifier

Output Power	At Stereo operation	70 watts per channel, min. RMS, both channels driven into 8 ohms, 40 Hz to 20 kHz with no more than 0.8% total harmonic distortion.
	At Surround operation Front channels	50 watts per channel, min. RMS, driven into 8 ohms at 1 kHz with no more than 0.8% total harmonic distortion.
	Center channel	50 watts, min. RMS, driven into 8 ohms at 1 kHz, with no more than 0.8% total harmonic distortion.
	Rear channels	50 watts, min. RMS, driven into 8 ohms at 1 kHz, with no more than 0.8% total harmonic distortion.
Total Harmonic Distortion (8 ohms, 1 kHz)		0.8%* at 70 watts output (* Measured by JVC Audio Analysis System)
Frequency Response (8 ohms)	PHONO CD, TAPE, VCR, VIDEO	20 Hz to 20 kHz (±1 dB) 20 Hz to 20 kHz (±1 dB)
Audio Input Sensitivity/ Impedance (1 kHz)	PHONO CD, TAPE, VCR, VIDEO	3.0 mV/47 k ohms 220 mV/47 k ohms
Audio Output Level	TAPE, VCR	220 mV
Signal-to-Noise Ratio (*66 IHF/78 IHF)	PHONO CD, TAPE, VCR, VIDEO	70 dB/78 dB (at REC OUT) 87 dB/80 dB
RIAA Phono Equalization		±0.5 dB (20 Hz to 20 kHz)
LOUDNESS control (Volume Control at -40 dB)		+5 ±2 dB at 100 Hz
Tone Control Range	BASS TREBLE	+8 ±2 dB, -8 ±2 dB (at 100 Hz) +8 ±2 dB, -8 ±2 dB (at 10 kHz)
Video Input Sensitivity/ Impedance	VCR, VIDEO	1 Vp-p/75 ohms
Video Output Level	VCR, MONITOR OUT	1 Vp-p (at 1 Vp-p input)
Synchronization		negative
Signal-to-Noise Ratio		45 dB

FM tuner (IHF)

Tuning Range		87.5 MHz to 108.0 MHz
Usable Sensitivity		10.8 dBf (0.95 μV/75 ohms)
50 dB Quieting Sensitivity	Monaural Stereo	16.3 dBf (1.8 μV/75 ohms) 38.3 dBf (22.5 μV/75 ohms)
Signal-to-Noise Ratio (IHF-A weighted)	Monaural Stereo	80 dB at 85 dBf 73 dB at 85 dBf
Total Harmonic Distortion	Monaural Stereo	0.15% at 1 kHz 0.2% at 1 kHz
Stereo Separation at REC OUT		40 dB at 1 kHz
Capture Ratio		1.5 dB (10 mV)
Alternate Channel Selectivity		60 dB; (±400 kHz)
Frequency Response		30 Hz to 15 kHz; (+0.5 dB, -3 dB)

AM tuner

Tuning Range		530 kHz to 1,710 kHz
Usable Sensitivity	Loop antenna External antenna	300 μV/m 30 μV
Signal-to-Noise Ratio		50 dB (100 mV/m)

General

Power Requirements		AC 120V ₀ , 60 Hz
Power Consumption		170 watts/230 VA 5 watts (in standby mode)
Dimensions (W x H x D)		17 1/8 x 5 1/16 x 13 1/8 inches (435 x 147 x 346 mm)
Mass		16.4 lbs (7.4 kg)

Design & specifications are subject to change without notice

Description of Major LSIs

■ MN171202K8F (IC401) : SYSTEM CONTROLLER 1

1. Terminal Layout

VDD	1	64	OSC1
KI0	2	63	OSC2
KI1	3	62	GND
KI2	4	61	
KI3	5	60	
D1/KO0	6	59	T.MUTE
D2/KO1	7	58	LOUDNESS
D3/KO2	8	57	POWER/STANDBY LED
D4/KO3	9	56	HALL LED
D5/KO4	10	55	3CH LED
D6/KO5	11	54	PROLOGIC LED
D7/KO6	12	53	SOURCE MUTE
D8/KO7	13	52	VOL. LED
S0	14	51	VOL+
S1	15	50	VOL-
S2	16	49	COMPLINK OUT
S3	17	48	COMPLINK IN
VPP	18	47	TUNED
S4	19	46	STEREO
S5	20	45	INH IN
S6	21	44	RM IN
S7	22	43	RESET
S8	23	42	DO
S9	24	41	DI
S10	25	40	CK
S11	26	39	CE
S12	27	38	DATA
S13	28	37	STB1
S14	29	36	CLK
S15	30	35	STB2
VIDEO1	31	34	TV
VIDEO2	32	33	SOURROUND ON/OFF

2.Key Matrix

	KI0 (PIN2)	KI1 (PIN3)	KI2 (PIN4)	KI3 (PIN5)
KO0 (PIN6)	PHONO (S401)	CD (S402)	TUNER (S405)	TAPE (S406)
KO1 (PIN7)	VIDEO (S403)	VCR (S404)	TV (S407)	LOUDNESS (S408)
KO2 (PIN8)	BAND FM/AM (S409)	FM MODE /MUTE (S410)	FREQ. DOWN (S411)	FREQ. UP (S412)
KO3 (PIN9)	POWER (S413)	MEMORY (S414)	PRESET /DOWN (S415)	PRESET /UP (S416)
KO4 (PIN10)	SURR. (S417)	SURR. MODE (S418)	REAR LEVEL- (S419)	REAR LEVEL+ (S420)
KO5 (PIN11)	DELAY (S421)	CENTER MODE (S422)	CENTER LEVEL- (S423)	CENTER LEVEL+ (S424)

3. Description

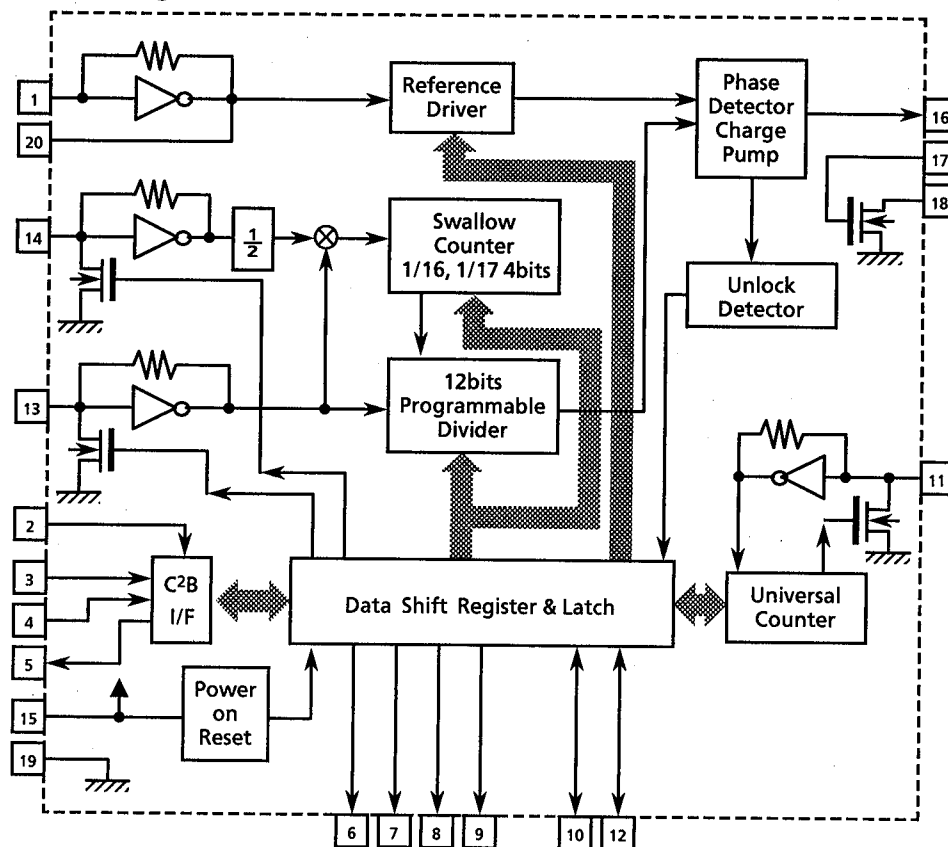
Pin No.	Symbol	I/O	Description	Pin No.	Symbol	I/O	Description
1	VDD	--	Power supply	33	SURR.ON/OFF	O	SURROUND ON/OFF control
2	KI0	I	Key matrix Input	34	TV	O	TV sound select control signal
3	KI1	I	Key matrix Input	35	STB2	O	Strobe signal to IC641,601
4	KI2	I	Key matrix Input	36	CLK	O	Clock output
5	KI3	I	Key matrix Input	37	STB1	O	Strobe signal to IC321
6	D1/KO0	O	Grid control signal/Key matrix output	38	DATA	O	Data output
7	D2/KO1	O	Grid control signal/Key matrix output	39	CE	O	Chip enable output
8	D3/KO2	O	Grid control signal/Key matrix output	40	CK	O	CLOCK signal output
9	D4/KO3	O	Grid control signal/Key matrix output	41	DI	I	Tuner data input
10	D5/KO4	O	Grid control signal/Key matrix output	42	DO	O	Tuner data output
11	D6/KO5	O	Grid control signal/Key matrix output	43	RESET	O	RESET signal input
12	D7/KO6	O	Grid control signal/Key matrix output	44	RM IN	I	Remote signal input
13	D8/KO7	O	Grid control signal/Key matrix output	45	INH IN	I	Inhibit signal input
14	S0	O	Segment control signal	46	STEREO	I	STEREO signal input
15	S1	O	Segment control signal	47	TUNED	I	TUNED signal input
16	S2	O	Segment control signal	48	COMPULINK IN	I	COMPULINK signal input
17	S3	O	Segment control signal	49	COMPULINKOUT	O	COMPLUINK signal output
18	VPP	O	Power supply	50	VOL-	O	VOL. control signal
19	S4	O	Segment control signal	51	VOL+	O	VOL. control signal
20	S5	O	Segment control signal	52	VOL LED	O	VOL. indication control
21	S6	O	Segment control signal	53	SOURCE MUET	O	SOURCE MUET control signal
22	S7	O	Segment control signal	54	PROLOGIC LED	O	PROLOGIC indication control
23	S8	O	Segment control signal	55	3CH LED	O	3CH indication control
24	S9	O	Segment control signal	56	HALL LED	O	HALL indication control
25	S10	O	Segment control signal	57	P/STANDBY LED	O	STANDBY indication control
26	S11	O	Segment control signal	58	LOUDNESS	O	LOUDNESS control signal
27	S12	O	Segment control signal	59	T.MUTE	O	TUNER MUET control signal
28	S13	O	Segment control signal	60	X1	--	GND
29	S14	O	Segment control signal	61	X2	--	Not used
30	S15	O	Segment control signal	62	VSS	--	GND
31	VIDEO1	O	Control signal to IC661	63	OSC2	--	Oscillation terminal
32	VIDEO2	O	Control signal to IC661	64	OSC1	--	Oscillation terminal

■ LC72131M (IC121) : PLL Synthesizer

1. Terminal Layout

XIN	1	20	XOUT
CE	2	19	V _{SS}
TDATA	3	18	LPF OUT
CK	4	17	LPF IN
IFDATA	5	16	PD
FM	6	15	V _{DD}
MW	7	14	FM OSC
LW	8	13	AM OSC
AUTO/MONO	9	12	IF REQ
POWER	10	11	FM/AM IF

2. Block Diagram



3. Pin Functions

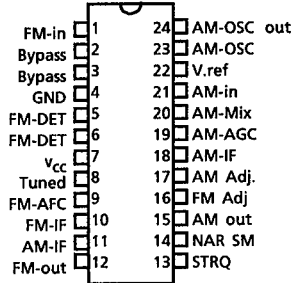
Pin No.	Symbol	I/O	Functions	Pin No.	Symbol	I/O	Functions
1	X in	I	Crystal oscillator (7.2MHz).	11	FM/AM IF	I	Universal counter input
2	CE	I	Fix the chip enable to "H" when inputting (DI) and outputting (DO) the serial data.	12	IF REQ	O	Output the "IF-signal request" to IC102
3	TDATA	I	Receive the control data from the controller (IC201).	13	AM IN	I	Input the local oscillator signal of AM.
4	CK	I	This clock is used to synchronize data when transmitting the data of DI and DO.	14	FM IN	I	Input the local oscillator signal of FM.
5	IFDATA	O	Transmit the data from LC72131M to the controller which is synchronized with CK.	15	V _{DD}	--	This is a terminal of power supply.
6	FM	O	It is "L" on FM mode.	16	PD	O	PLL charge pump output : When the local oscillator signal frequency is higher than the reference frequency high level signals will output. When it is lower than the reference frequency, low level signals will output. When it is same as reference frequency signals, it will be floating.
7	MW	O	It is "L" on MW mode.	17	LPF IN	I	Transistor used for the PLL active low-pass filter
8	LW	O	It is "L" on LW mode.	18	LPF OUT	O	Transistor used for the PLL active low-pass filter
9	AUTO/MONO	O	It is "L" on monaural, "H" on auto.	19	V _{SS}	--	Connected to GND
10	POWER	O	Regulator control signal P ON "H", STANDBY "L"	20	X out	O	Crystal oscillator (7.2MHz).

■ LA1266A (IC104) : FM AM IF AMP & detector

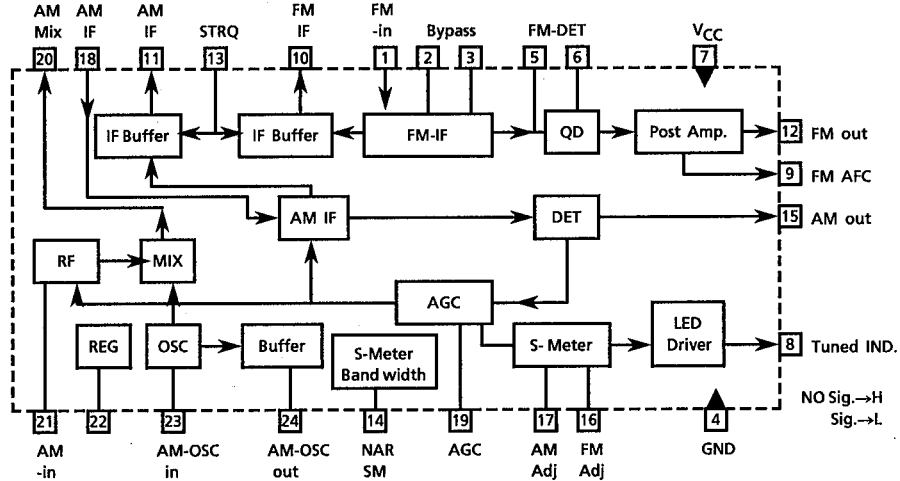
1. The main function descriptions

- (1) Amplify and detect of FM intermodulation frequencies.
- (2) It has local oscillator and mixer for AM, and amplify the AM-IF signal.

2. Top View



3. Block Diagram



4. Pin Function Description

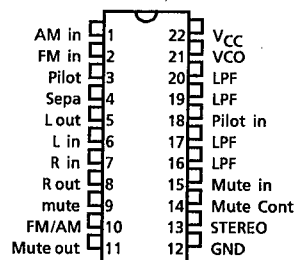
Pin No.	Symbol	I/O	Functions and Operations
1	FM in	I	This is an input terminal of FM IF Signal.
2, 3	Bypass	--	Bypass of FM IF Amp.
4	GND	--	This is the device ground terminal.
5, 6	FM DET	--	FM detect transformer.
7	V _{CC}	--	This is the power supply terminal.
8	Tuned	O	When the set is tuning, this terminal become "L".
9	FM AFC	O	This is an output terminal of voltage for FM - AFC.
10	FM IF out	O	When the IF REQ signal of IC251(LC7218) applies to pin13, the signal of FM IF outputs.
11	AM IF out	O	When the IF REQ signal of IC251(LC7218) applies to pin13, the signal of AM IF outputs.
12	FM out	O	FM detection output.
13	STRQ	I	The IF-signals come out from pin10 (FM-IF) or pin11 (AM-IF) while this terminal goes to "High".
14	NAR.SM	--	Control the Band-width of AM signal meter.
15	AM out	O	AM detection output.
16	FM Adj	--	For adjust the stop level (or mute level) of FM.
17	AM Adj	--	For adjust the stop level (or mute level) of AM.
18	AM-IF	I	Input of AM IF Signal.
19	AM-AGC	I	This is an AGC voltage Input terminal for AM.
20	AM-MIX	O	This is an output terminal for AM mixer.
21	AM-IN	I	This is an input terminal for AM RF Signal.
22	V.REF	--	Control the Band-width of FM signal meter.
23	AM-OSC	--	This is a terminal of AM Local oscillation circuit.
24	AM-OSC out	O	AM Local Oscillation Signal output.

■ LA3401 (IC105) : FM MPX Detector

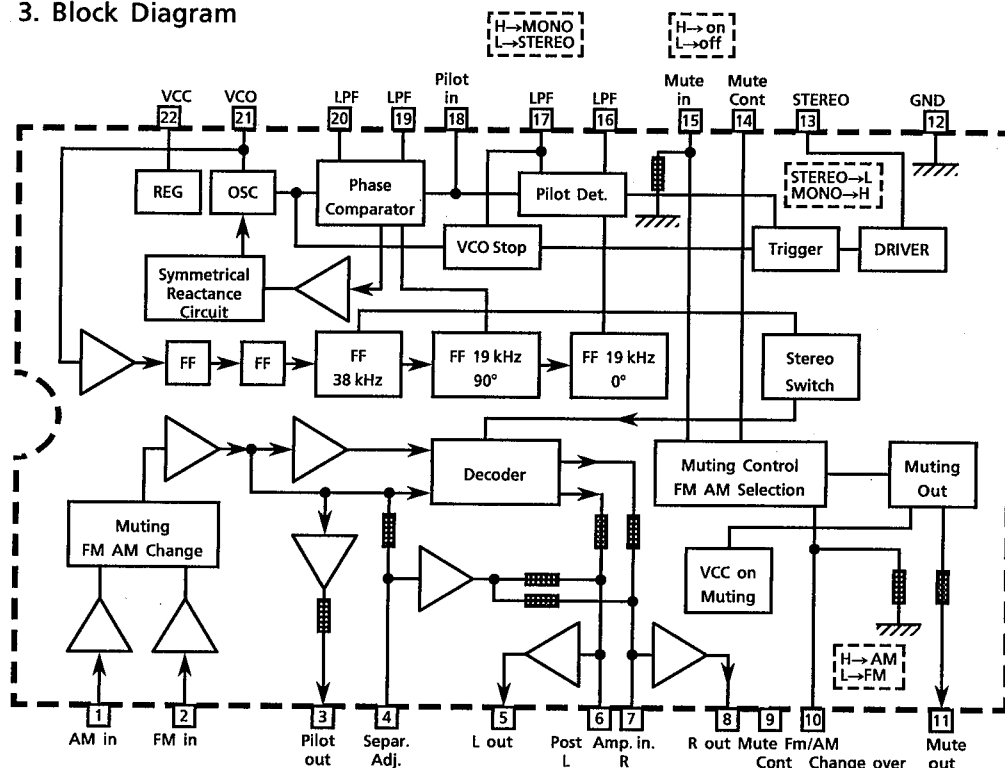
1. The main function descriptions

- (1) Detect the FM Multiplex Signal (Stereo signal).
- (2) When receiving FM Stereo Signal, it outputs the signal for indicator.
- (3) AM / FM Audio Amplifier.

2. Terminal Layout



3. Block Diagram

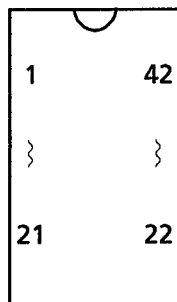


4. Pin Function Description

Pin No.	Symbol	I/O	Functions and Operations
1	AM in	I	This is an input terminal for AM detection signal.
2	FM in	I	This is an input terminal for FM detection signal.
3	Pilot out	O	Output of MPX pilot signal (Connect to Pin18).
4	Sepa. Adj.	--	Separation adjustment.
5	L. out	O	Left channel signal output.
6	L	O	Reversal output of Pin5.
7	R	O	Reversal output of Pin8.
8	R out	O	Right channel signal output
9	Mute Cont	--	The mute time is controlled by the connected capacitor when turning the power switch on.
10	FM / AM	I	Change over the FM / AM input. "H" : AM, "L" : FM
11	Mute out	--	Not use
12	GND	--	Ground terminal.
13	Stereo	O	Stereo indicator output. Stereo : "L", Mono : "H"
14	Mute Cont	--	The mute time is controlled by the connected capacitor when changing over the FM / AM .
15	Mute in	I	Mute signal input. "H" : Mute on, "L" : Mute off.
16	LPF	--	Low pass filter of pilot detector.
17	LPF	--	While this terminal goes to "H", the VCO stop.
18	Pilot in	I	Pilot input.
19	LPF	--	Low-pass filter of PLL.
20	LPF	--	Low-pass filter of PLL.
21	VCO	I	Voltage controlled oscillator terminal.
22	VCC	--	Power supply.

■ LA2785 (IC601) : Dolby Pro Logic Surround Signal Processor

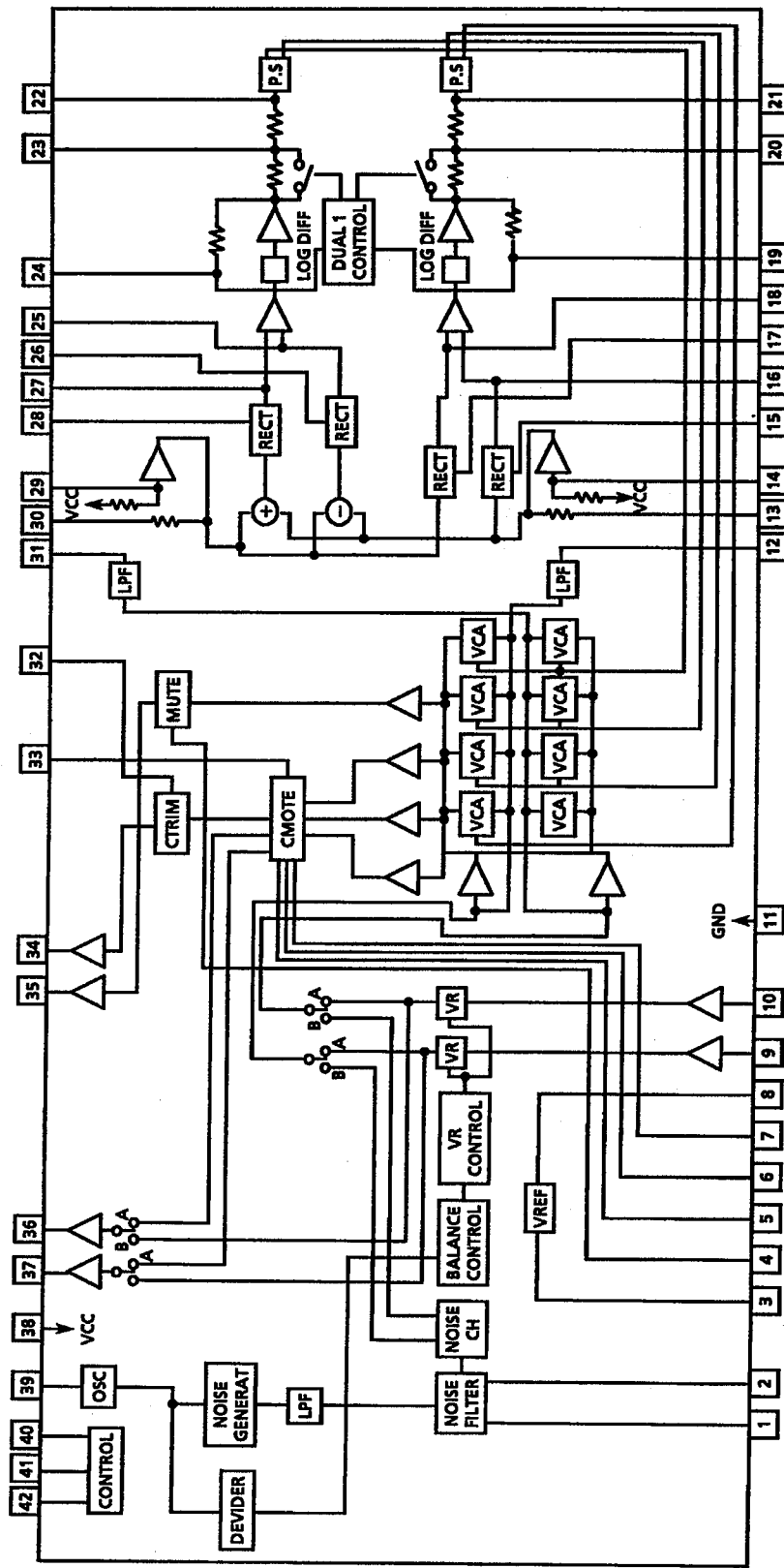
1. Terminal Layout



2. Pin Functions

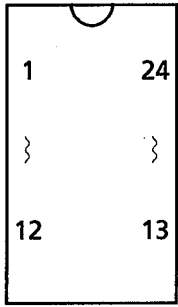
Pin No	Symbol	I/O	Functions	Pin No	Symbol	I/O	Functions
1	NS-BPF1	--	Capacitor for spectrum filter in noise sequencer	22	VCS-1	--	Capacitor for time constant (in log differential area)
2	NS-BPF2	--	Capacitor for spectrum filter in noise sequencer	23	VCS-2	--	Capacitor for time constant (in log differential area)
3	VREF	--	Analog reference voltage	24	VCS-TH	--	Capacitor for time constant (in log differential area)
4	S-DC-OUT	--	Capacitor for DC-cut Sch	25	L+R RECT	--	Capacitor for Center channel detection
5	C-DC-OUT	--	Capacitor for DC-cut Cch	26	DC-CUT	--	Capacitor for DC-cut at detection circuit
6	L-DC-OUT	--	Capacitor for DC-cut Lch	27	L-R RECT	--	Capacitor for Surround channel detection
7	R-DC-OUT	--	Capacitor for DC-cut Rch	28	DC-CUT	--	Capacitor for DC-cut at detection circuit
8	VREF-BUFFER	--	VREF low impedance	29	R-BPF3	--	LPF,HPF for Right channel control circuit
9	L-IN	I	Left channel signal input	30	R-BPF2	--	LPF,HPF for Right channel control circuit
10	R-IN	I	Right channel signal input	31	R-BPF1	--	LPF,HPF for Right channel control circuit
11	GND	--	Ground	32	C-TRIM DC-CUT	--	Capacitor for DC-cut Center channel
12	L-BPF1	--	LPF,HPF for Lch control circuit	33	C-MODE-CAP	--	Capacitor for Center channel output low-pass filter
13	L-BPF2	--	LPF,HPF Left channel control circuit	34	C-OUT	O	Center signal output
14	L-BPF3	--	LPF,HPF Left channel control circuit	35	S-OUT	O	Surround signal output
15	DC-CUT	--	Capacitor for DC-cut at detection circuit	36	R-OUT	O	Right channel signal output
16	R RECT	--	Capacitor for Right channel detection	37	L-OUT	O	Left channel signal output
17	DC-CUT	--	Capacitor for DC-cut at detection circuit	38	VCC	--	power supply
18	L RECT	--	Capacitor for Left channel detection	39	OSC	--	Oscillation for noise sequencer and auto balance
19	VLR-TH	--	Capacitor for time constant (in log differential area)	40	STB	I	Strobe signal input
20	VLR-2	--	Capacitor for time constant (in log differential area)	41	DATA	I	Serial interface data input
21	VLR-1	--	Capacitor for time constant (in log differential area)	42	CLK	I	Serial interface clock

3. Block Diagram

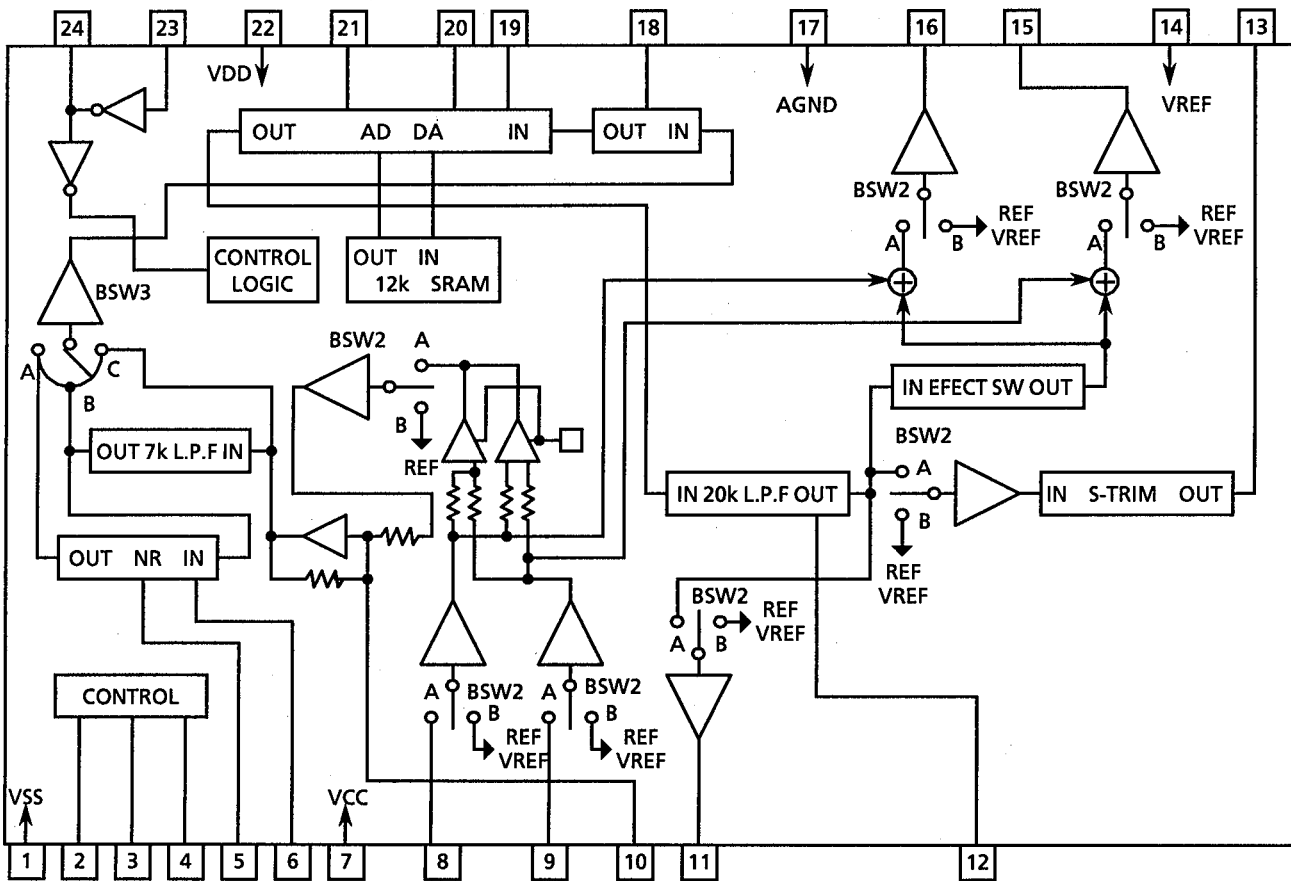


■ LV1011 (IC641) : Dolby Surround Passive Decoder

1. Terminal Layout



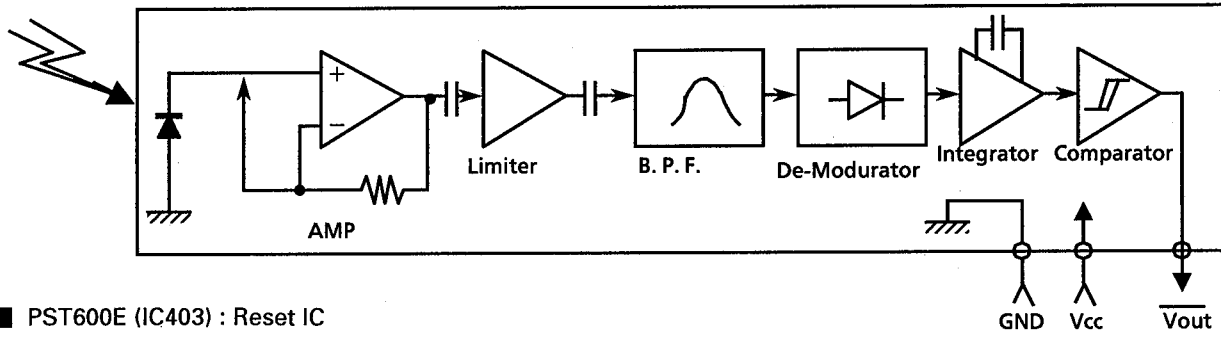
2. Block Diagram



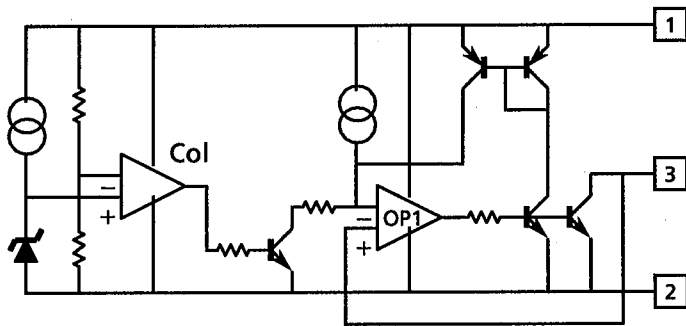
3. Pin Functions

Pin No.	Symbol	I/O	Functions
1	DGND	--	Digital GND
2	CLK	I	Serial interface clock
3	DATA	I	Serial interface data input
4	STB	I	Strobe signal input
5	NR-DET	--	Capacitor for noise reduction detection
6	NR-IREF	--	Resistor for noise reduction reference current
7	VCC	--	Supply
8	L-IN	I	Left channel signal input
9	R-IN	I	Right channel signal input
10	S-IN	I	Surround signal input
11	DELAY-OUT	--	Not used
12	DC-CUT	--	Capacitor for DC-cut
13	S-OUT	O	Surround signal output
14	VREF	--	Analog reference voltage
15	R-MIX-OUT	--	Not used
16	L-MIX-OUT	--	Not used
17	ADND	--	Analog ground
18	DC-CUT	--	Capacitor for DC-cut
19	D/A	--	Capacitor for integrator
20	NOISE SHAPER	--	Capacitor for noise shaper
21	A/D	--	Capacitor for integrator
22	VDD	--	Supply for the digital section
23	OSC	--	Oscillation terminal
24	OSC	--	Oscillation terminal

■ SPS-420-1 (IC402) : Remocon Module IC

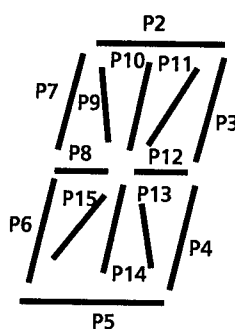
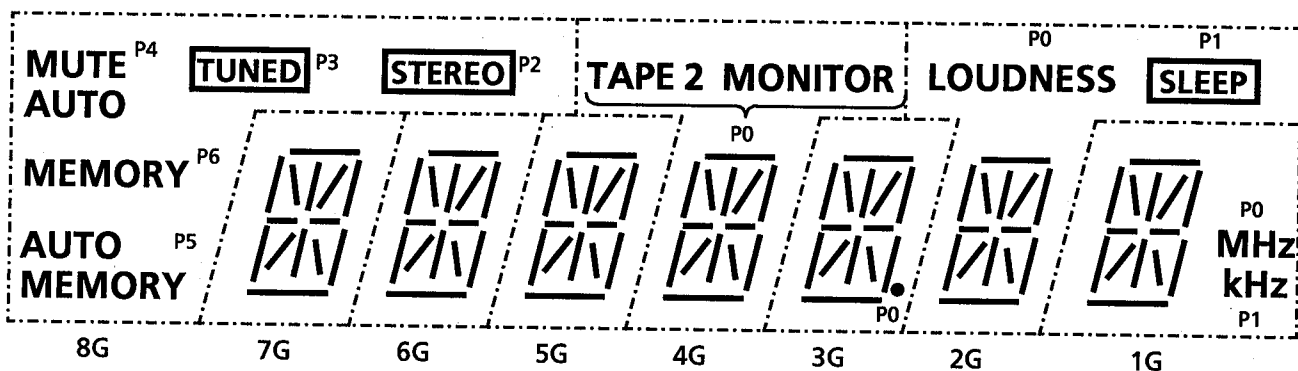


■ PST600E (IC403) : Reset IC



Internal Connections of the FL Display

■ ELU0001-144 : FL401



Pin Connection

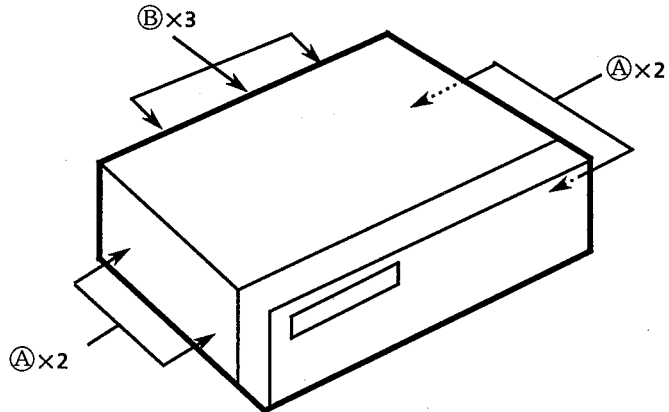
PIN NUMBER	1	2	3	4	5	6	7	8	9	10	11	12	13	14	15	16	17	18		
ELECTRODE	F1	F1	F1	NP	NP	NP	NP	NP	P15	P14	P13	P12	P11	P10	P9	P8	P7	P6		
PIN NUMBER			19	20	21	22	23	24	25	26	27	28	29	30	31	32	33	34	35	36
ELECTRODE			P5	P4	P3	P2	P1	P0	8G	7G	6G	5G	4G	3G	2G	1G	NP	F2	F2	F2

Note F : Filament, G : Grid, P : Element, NP : No Pin, NC : No Connection

Disassembly Procedures

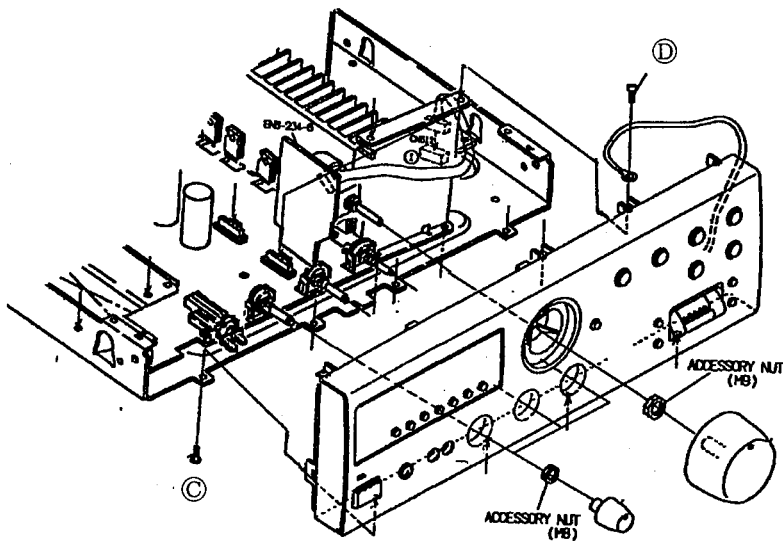
(1) Removing the top cover

1. Remove 4 screws **(A)** fastening both sides of top cover, and 3 screws **(B)** fastening the rear side.
2. Remove the top cover.



(2) Removing the Front panel Ass'y

1. Remove the top cover.
2. Remove the Master volume knob, bass knob, treble knob and balance knob.
3. Remove the nut fastening the Master volume knob, bass knob, treble knob and balance knob.
4. Remove the 4 screws **(C)** fastening bottom side of front panel ass'y.
5. Remove the 2 screws **(D)** fastening top side of front panel ass'y.
6. Remove it.

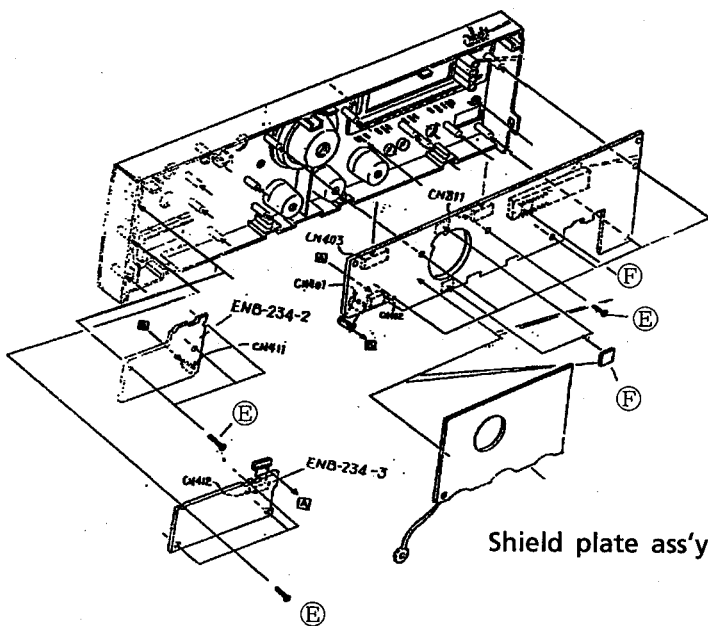


(A) .. E406308-001 **(B)** ... E73273-006 **(C)** ... SDSF3008M **(D)** ... SBSG308CC

(3) Removing the Front P.C. Board

1. Removing the top cover.
2. Removing the front panel assembly.
3. Removing the shield plate ass'y.
4. Removing the 13 screws (E).
5. Remove it.

* Assembling the 3 spacer (F)(E306805-122) fixing the shield plate ass'y.

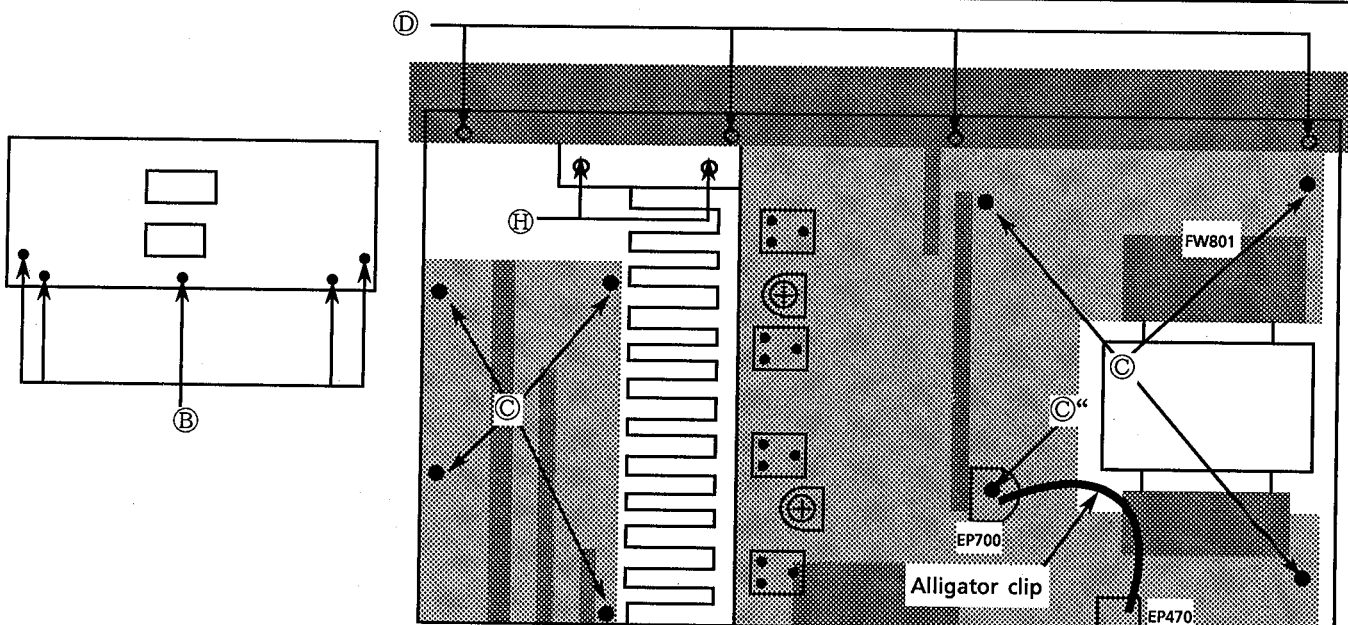


(4) Removing the bottom cover with power trans

1. Removing the top cover.
2. Removing the 4 screws (D) and the 2 screws (H) fastening bottom side.
3. Removing the 5 screws (B) fastening rear panel.
4. Removing the 8 screws (C) and (C'') fastening same P.C. boards ass'y.
5. Cut the tie band of the FW801.
6. Remove it.

※ The screw (C) which secures the bottom cover is also used for ground.

It is necessary to ground before checking after the bottom cover is removed.



(B) E73273-006

(C)(C'') SMSG3008CC

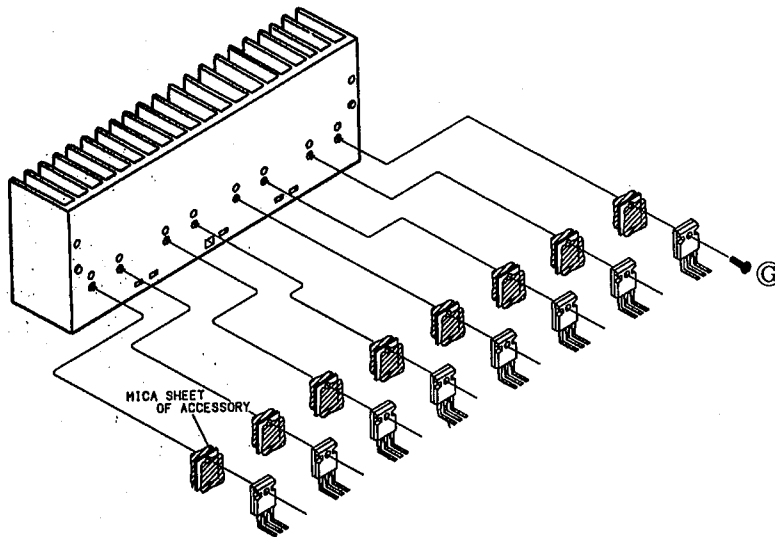
(D) SDSF3008M

(E) SDSF2608Z

(H) SDSG3008M

(5) Removing the Power Transistor

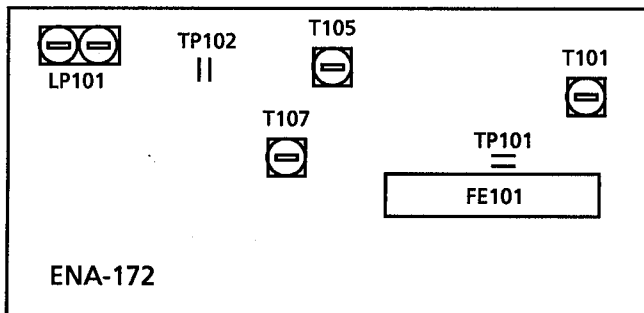
1. Remove the (1) and (4).
2. Unsolder the broken transistor.
3. Remove the some screws Ⓢ fastening it.
4. Remove it.



© .. E73525-003

ADJUSTMENT PROCEDURES

■ Tuner section



Tuning range

Area	Range	
	MW (kHz)	FM (MHz)
the U.S.A., Canada	530~1710	87.5MHz~108MHz

(1) Tuning Voltage

Confirm the voltages in the table at TP101.

FM Tuning voltage (Unit : V)

Area	Frequency	
	87.5MHz	108MHz
the U.S.A., Canada,	1.6±1.0	8.0±2.0

AM Tuning voltage (Unit : V)

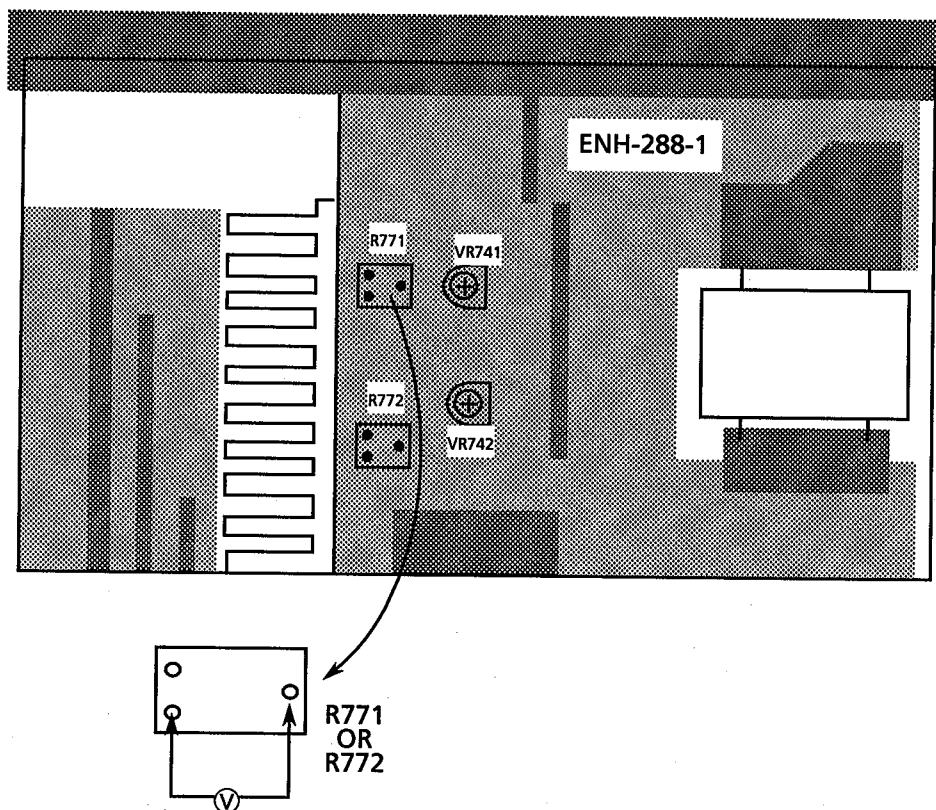
Area	Frequency (MW)						
	522KHz	530KHz	531KHz	1600KHz	1602KHz	1629KHz	1710KHz
the U.S.A., Canada	—	1.0 > 0.5	—	—	—	—	8.0±0.8

(2) FM Center meter

Receive a broadcast by using the function of 'AUTO STOP'.

Adjust T105 (Detector coil) so taht the voltage at TP102 becomes 0±1.5mV.

■ Power Amplifier section



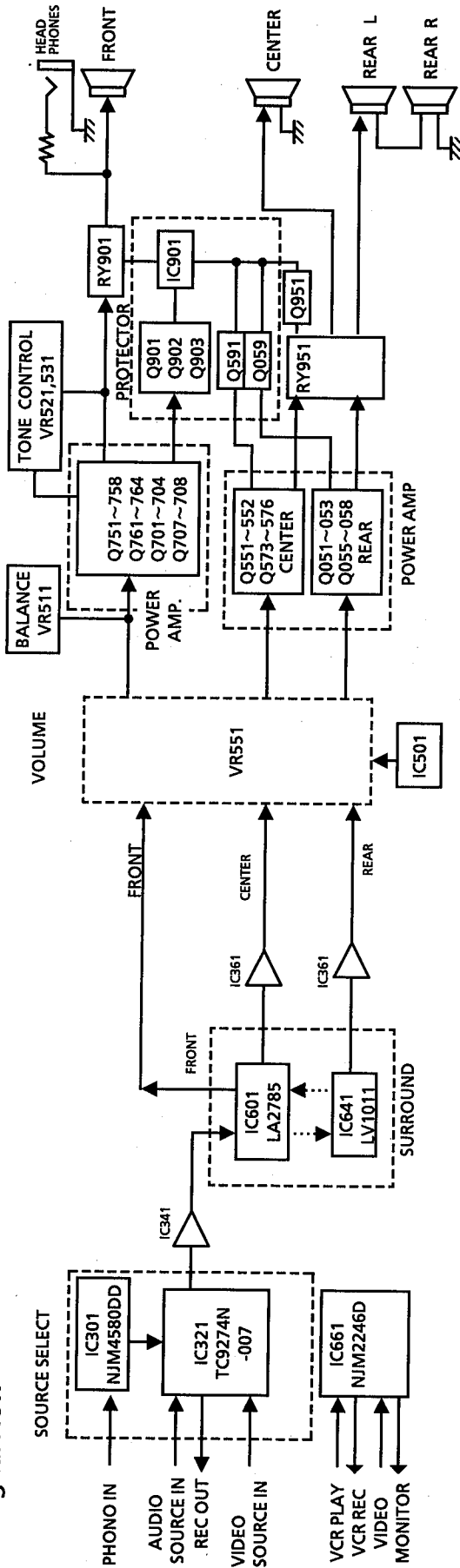
■ Idling current

- (1) Set the volume control to minimum during this adjustment. And set surround mode "OFF".
- (2) Turn VR741 and VR742 fully counterclockwise to warm up before adjustment.
If the heatsink is already warm from previous use the correct adjustment can not be made.
- (3) Connect a DC voltmeter to R771 resistor's leads for left channel, or to R772 for right channel.
- (4) Adjust R771 for left channel, or R772 for right channel, so that the DC voltmeter becomes 1mV~10mV.

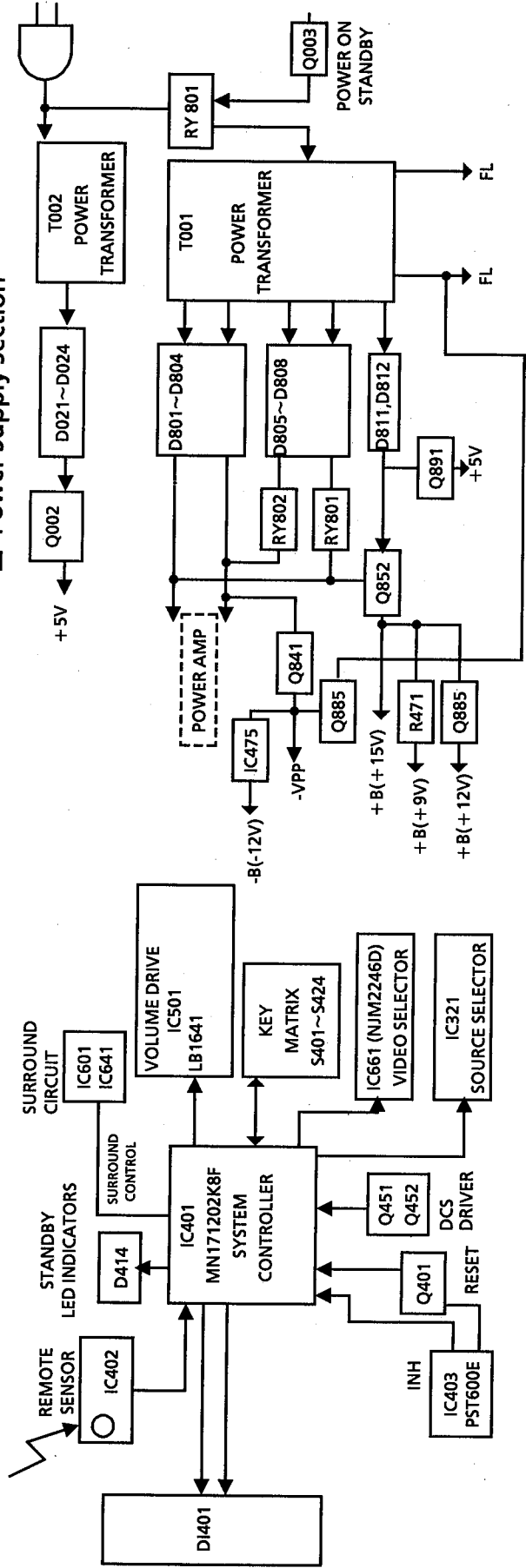
- MEMO -

Block Diagrams

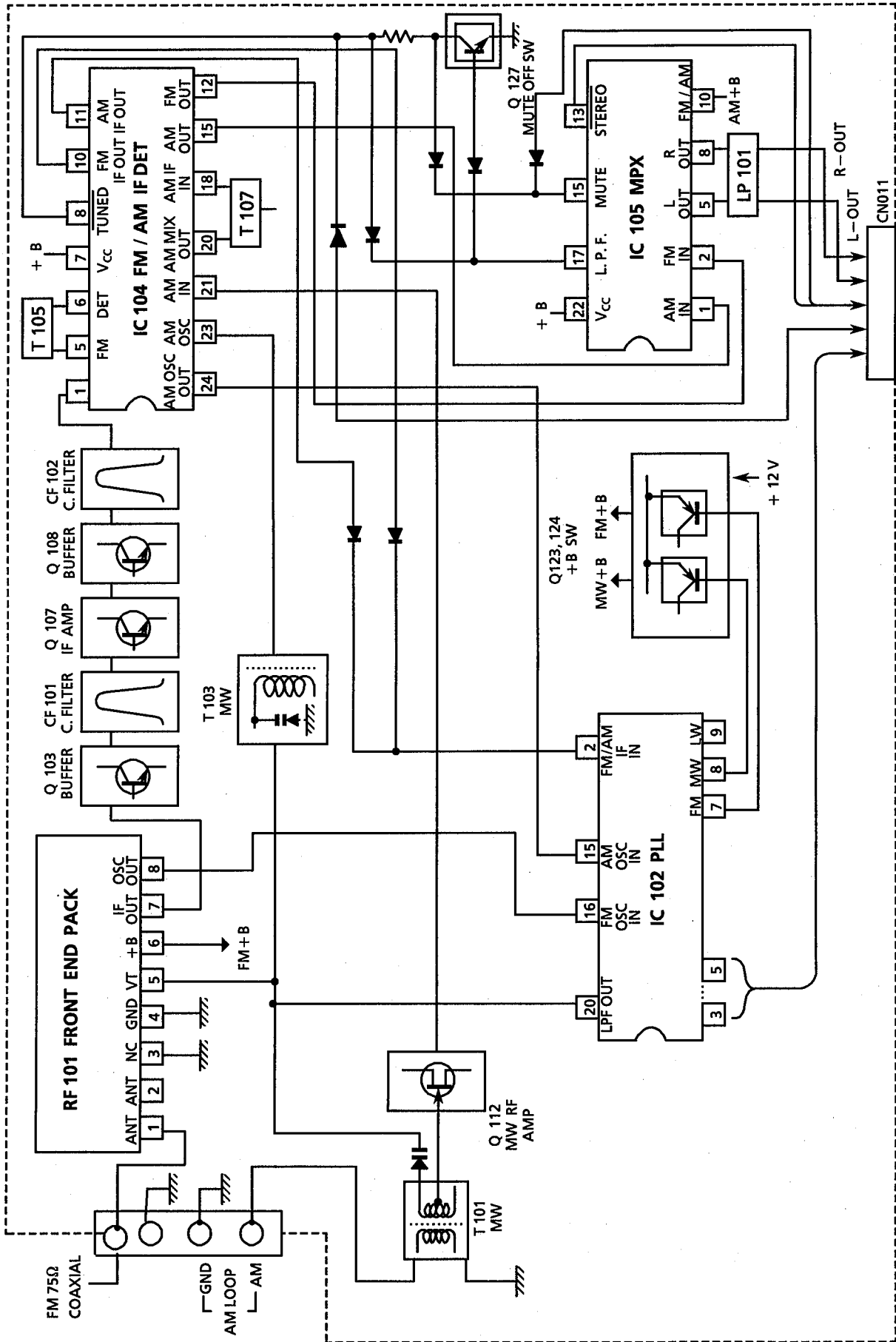
■ Signal Flow



■ Control Section

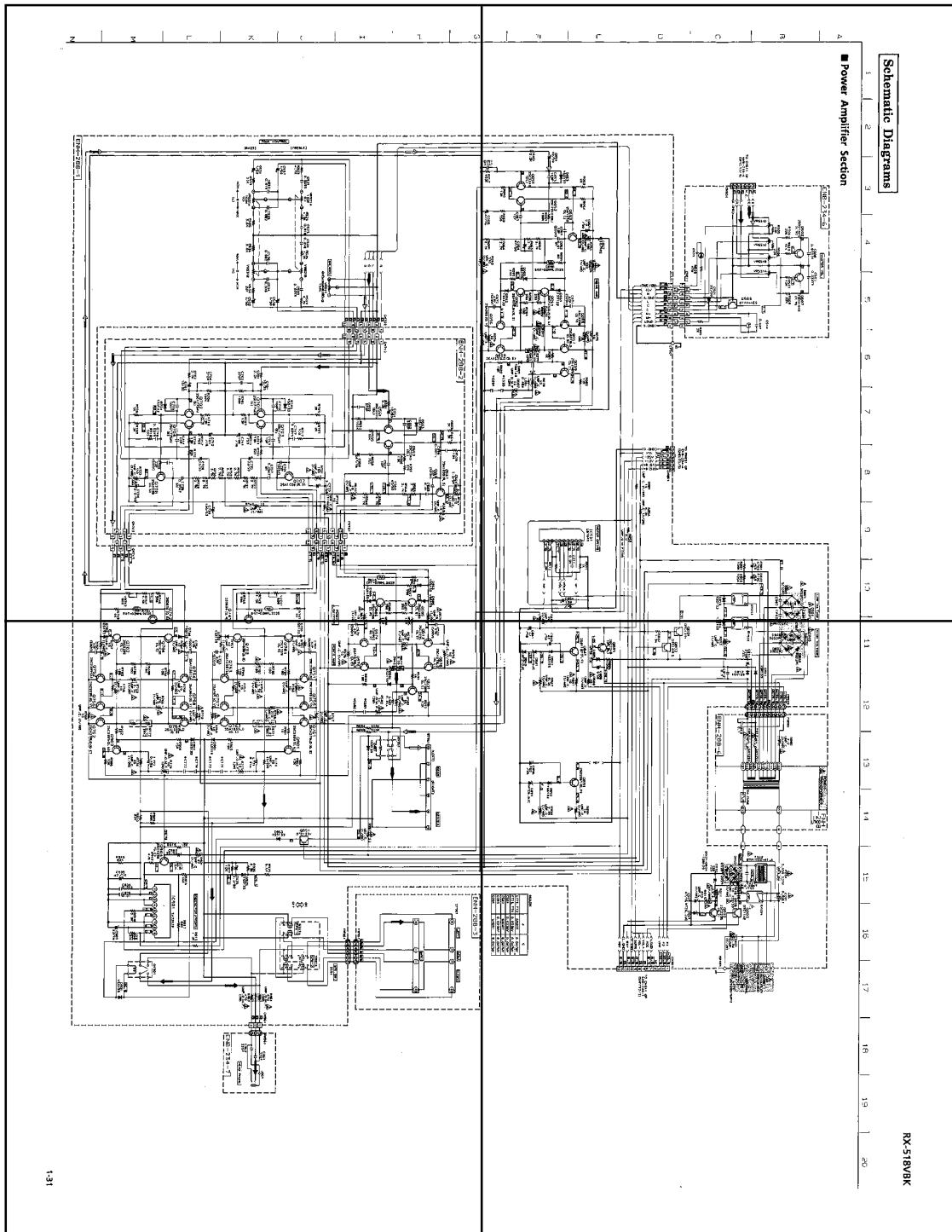


■ Tuner Section



P1-31-a

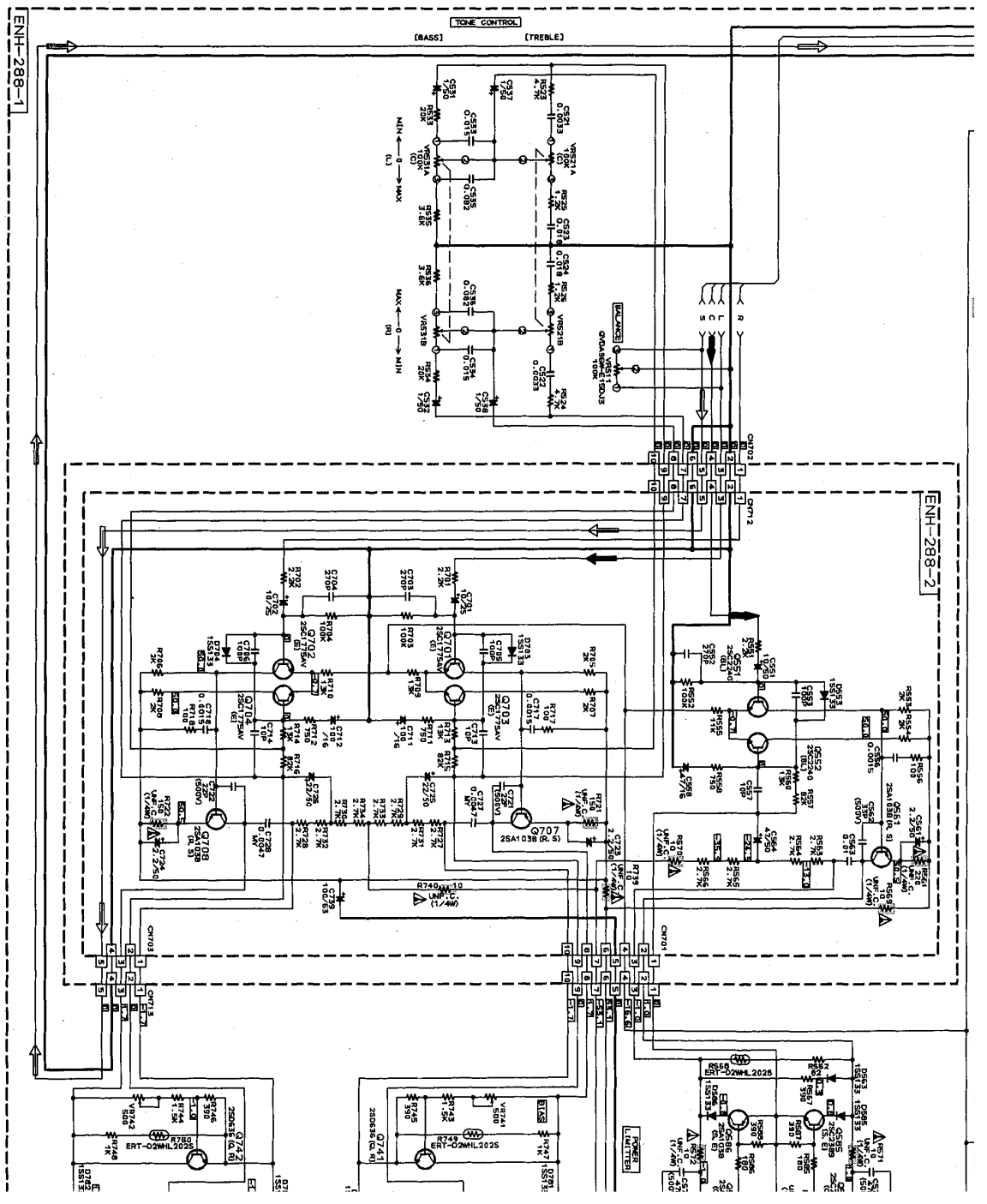
P1-31-b



P1-31-c

P1-31-d

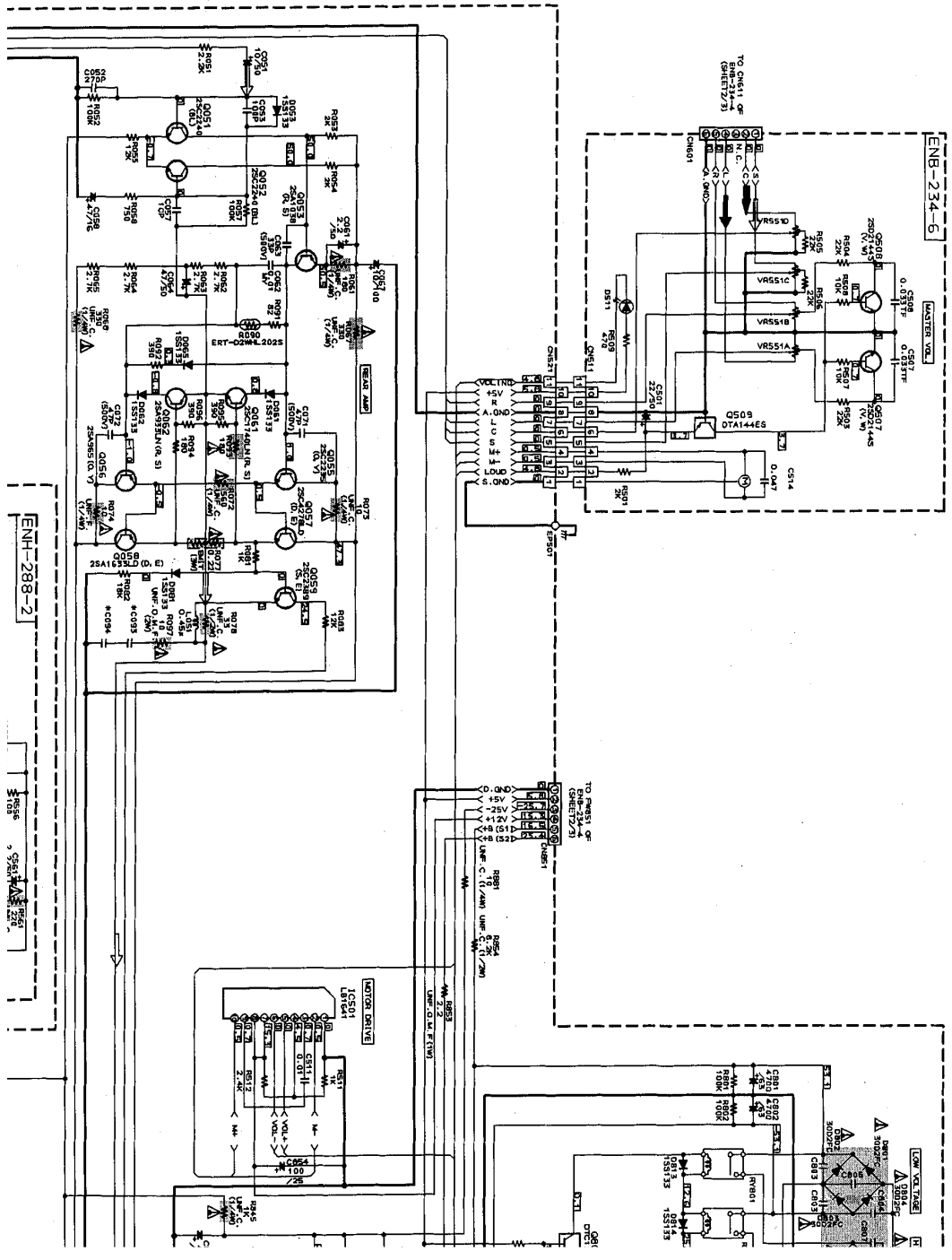
G H I J K L M N

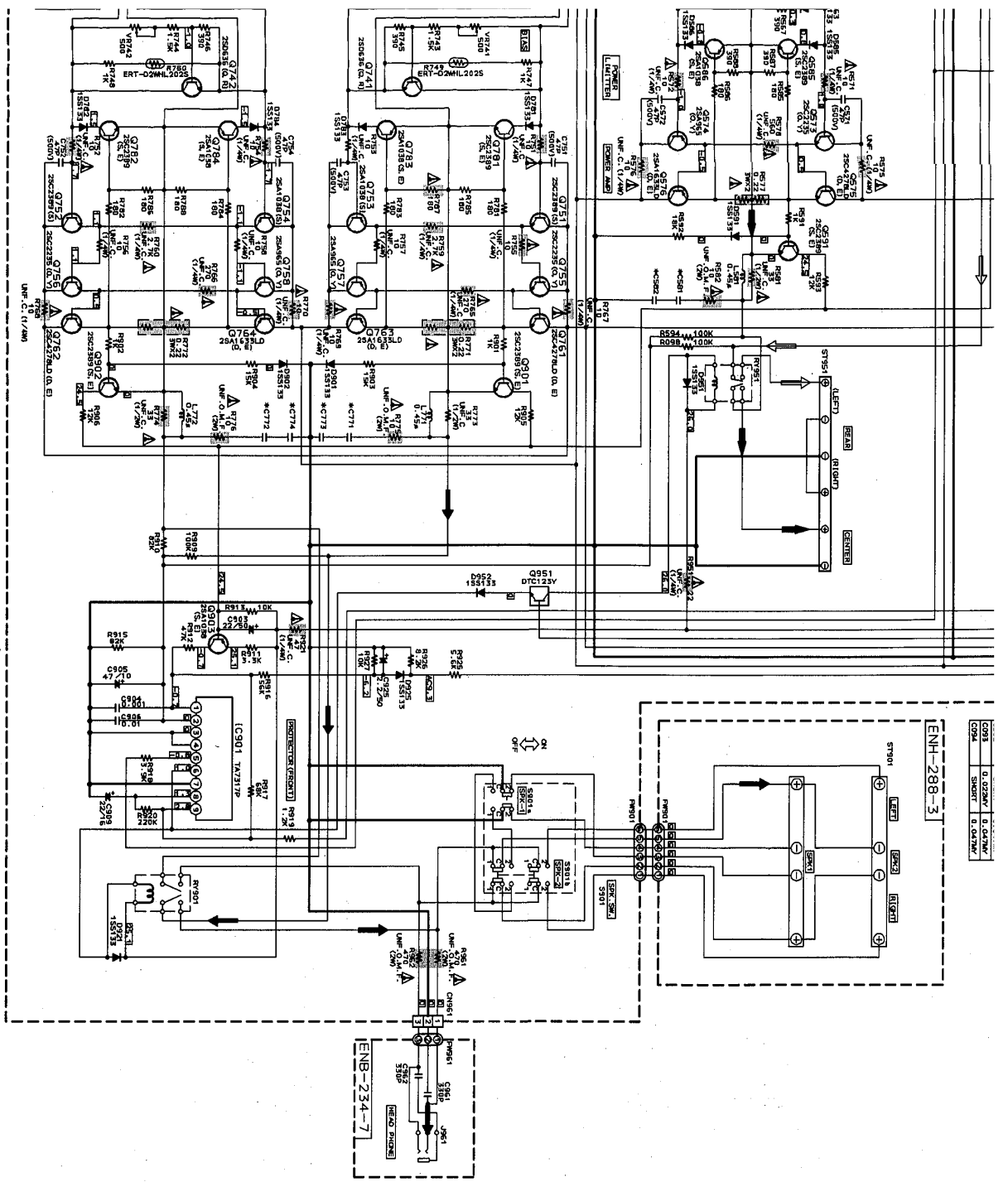


Schematic Diagrams

1 | 2 | 3 | 4 | 5 | 6 | 7 | 8 | 9 | 10

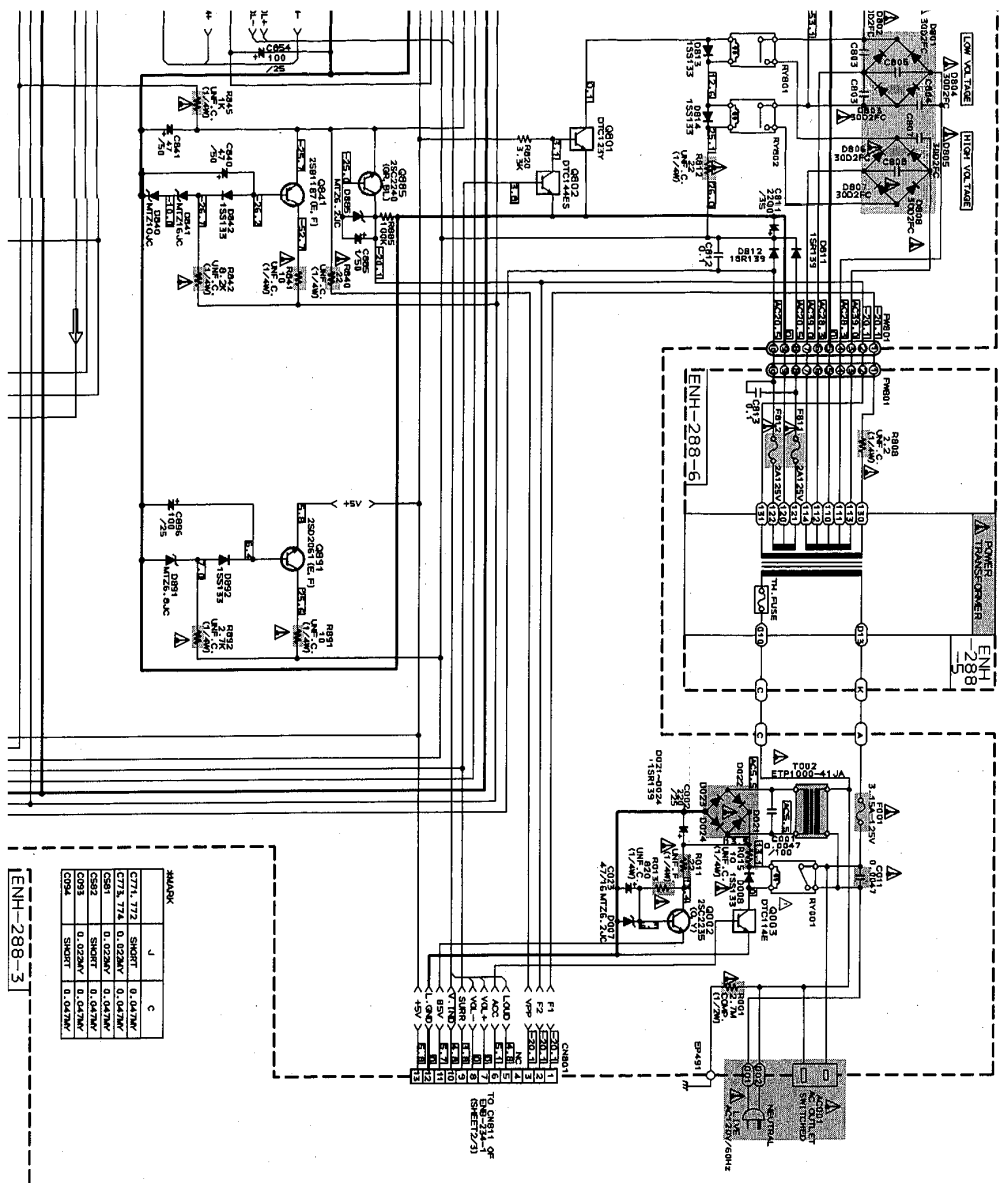
Power Amplifier Section





Q751	12AX7	Q752	6L6
C901	0.022M	C902	0.047M
C903	0.022M	C904	0.047M
C905	0.022M	C906	0.047M
C907	0.022M	C908	0.047M
C909	0.022M	C910	0.047M
C911	0.022M	C912	0.047M
C913	0.022M	C914	0.047M
C915	0.022M	C916	0.047M
C917	0.022M	C918	0.047M
C919	0.022M	C920	0.047M
C921	0.022M	C922	0.047M
C923	0.022M	C924	0.047M
C925	0.022M	C926	0.047M
C927	0.022M	C928	0.047M
C929	0.022M	C930	0.047M
C931	0.022M	C932	0.047M
C933	0.022M	C934	0.047M
C935	0.022M	C936	0.047M
C937	0.022M	C938	0.047M
C939	0.022M	C940	0.047M
C941	0.022M	C942	0.047M
C943	0.022M	C944	0.047M
C945	0.022M	C946	0.047M
C947	0.022M	C948	0.047M
C949	0.022M	C950	0.047M
C951	0.022M	C952	0.047M
C953	0.022M	C954	0.047M
C955	0.022M	C956	0.047M
C957	0.022M	C958	0.047M
C959	0.022M	C960	0.047M
C961	0.022M	C962	0.047M
C963	0.022M	C964	0.047M
C965	0.022M	C966	0.047M
C967	0.022M	C968	0.047M
C969	0.022M	C970	0.047M
C971	0.022M	C972	0.047M
C973	0.022M	C974	0.047M
C975	0.022M	C976	0.047M
C977	0.022M	C978	0.047M
C979	0.022M	C980	0.047M
C981	0.022M	C982	0.047M
C983	0.022M	C984	0.047M
C985	0.022M	C986	0.047M
C987	0.022M	C988	0.047M
C989	0.022M	C990	0.047M
C991	0.022M	C992	0.047M
C993	0.022M	C994	0.047M
C995	0.022M	C996	0.047M
C997	0.022M	C998	0.047M
C999	0.022M	C1000	0.047M

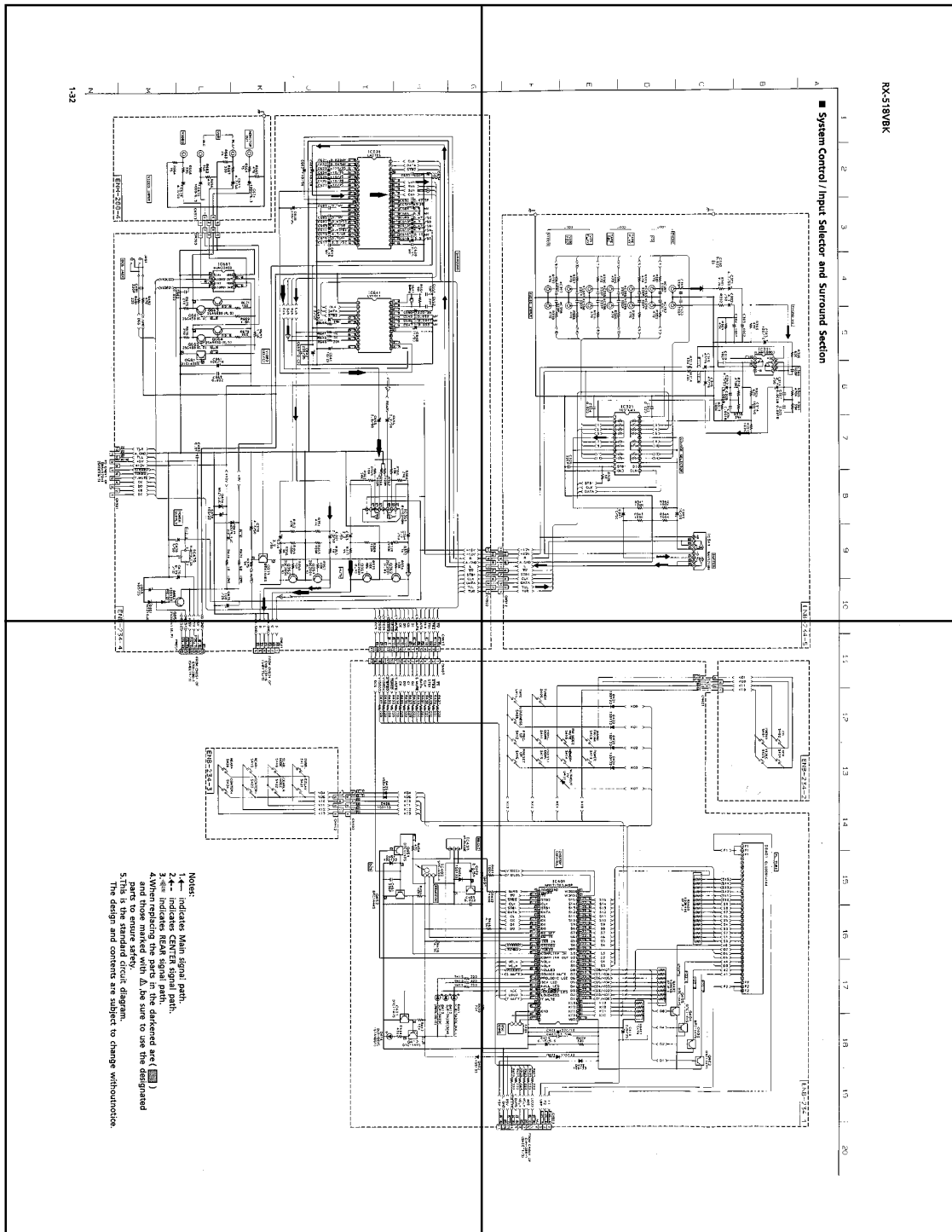
RX-518VBK



ENH-288-3

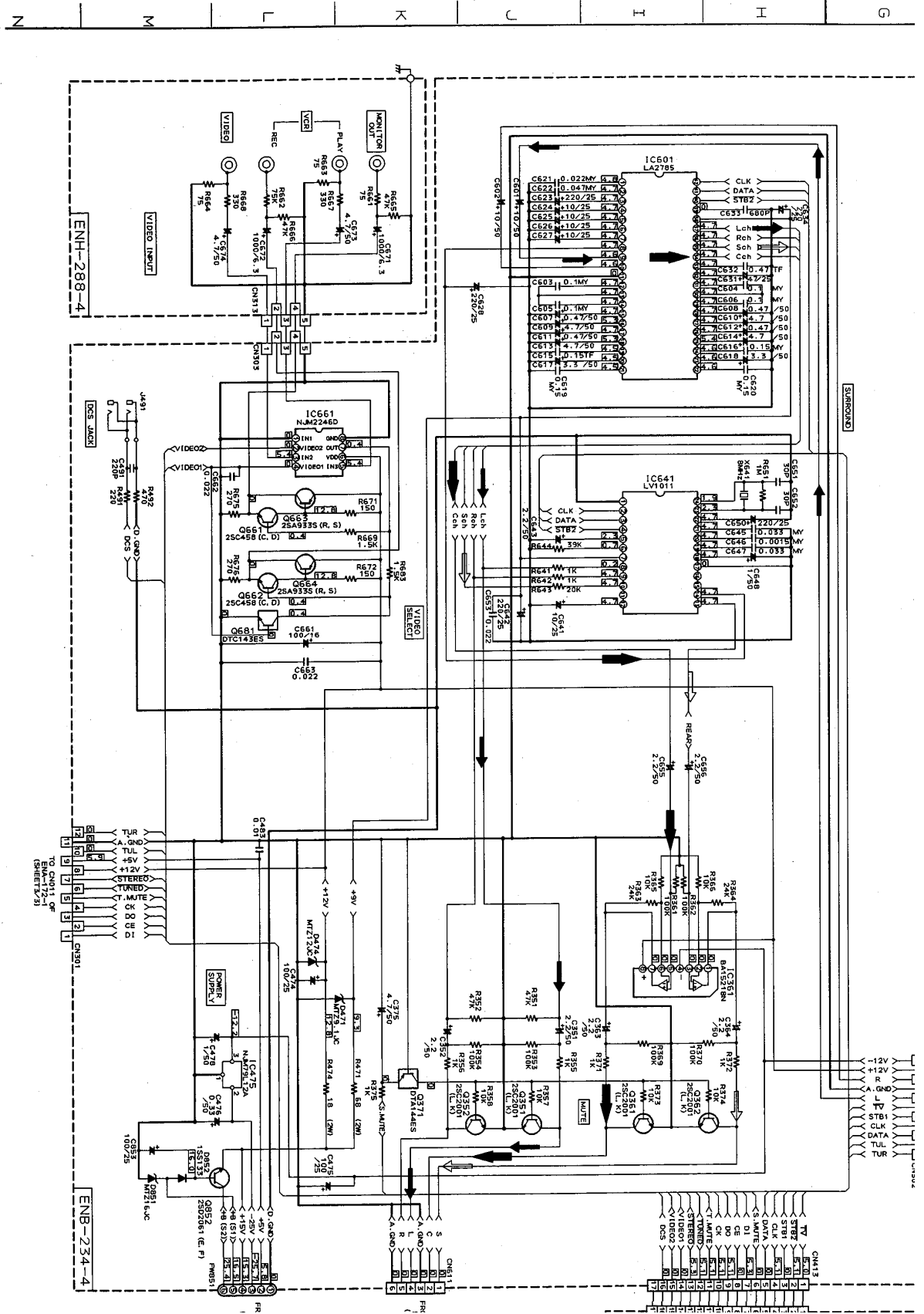
P1-32-a

P1-32-b

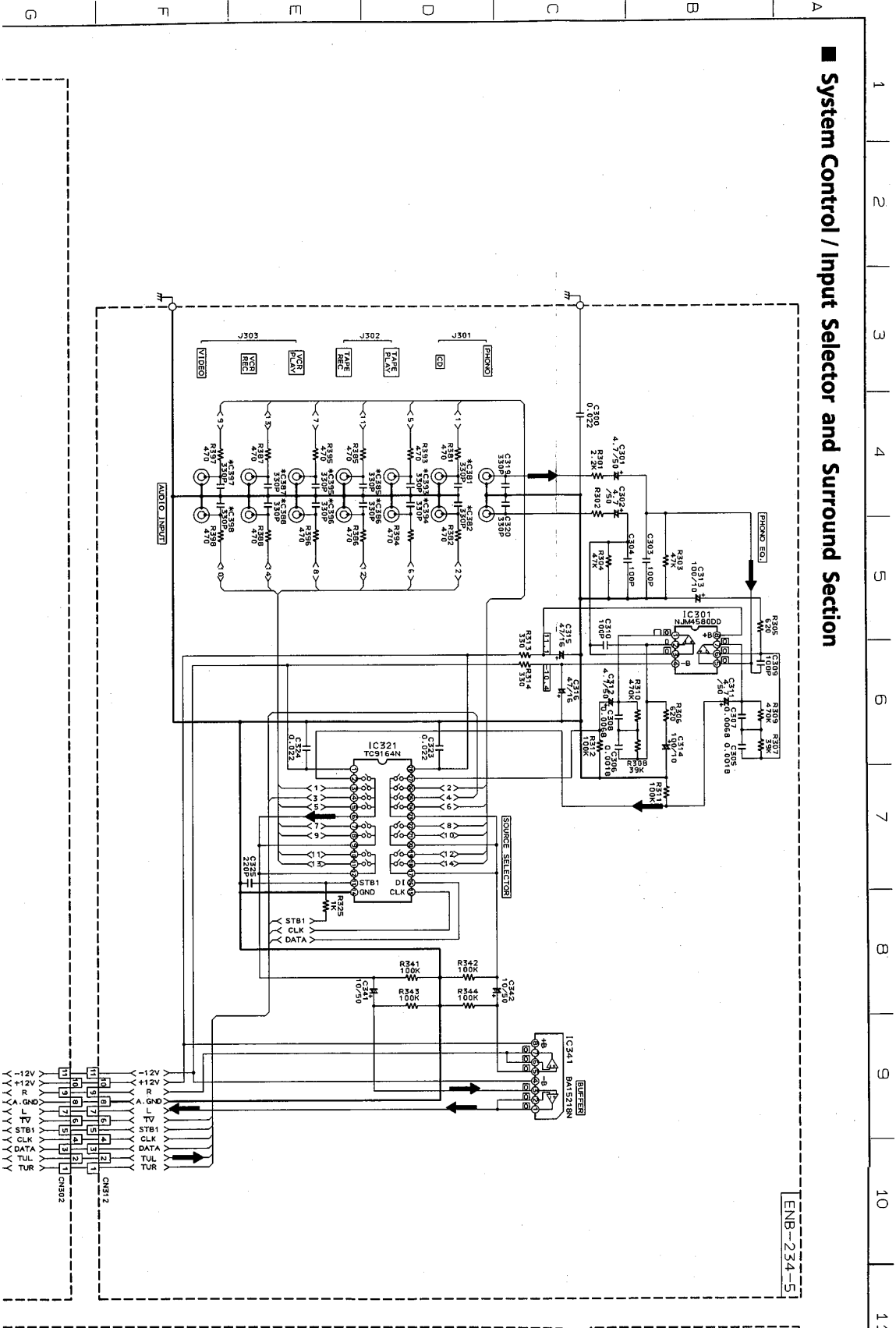


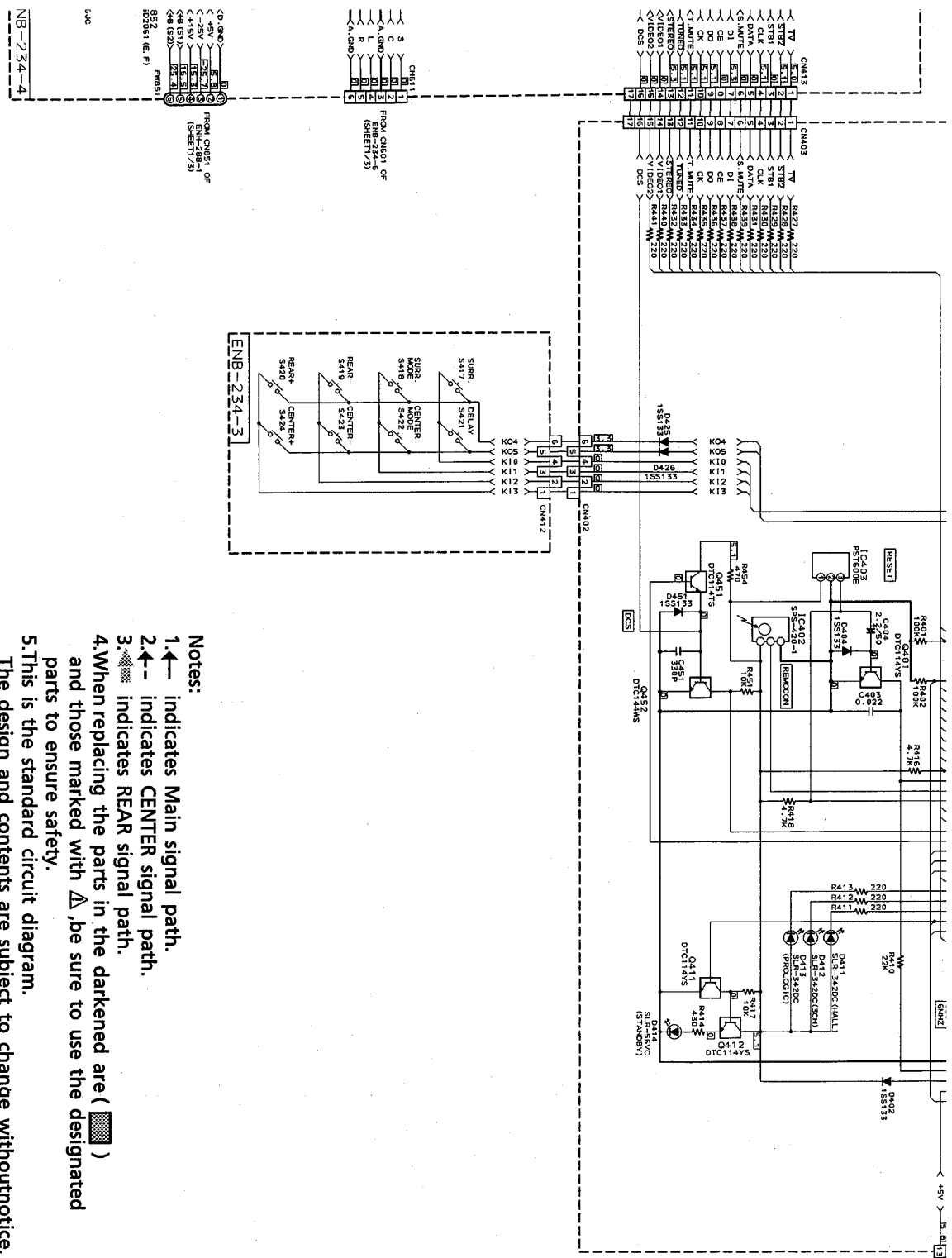
P1-32-c


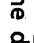
P1-32-d



System Control / Input Selector and Surround Section

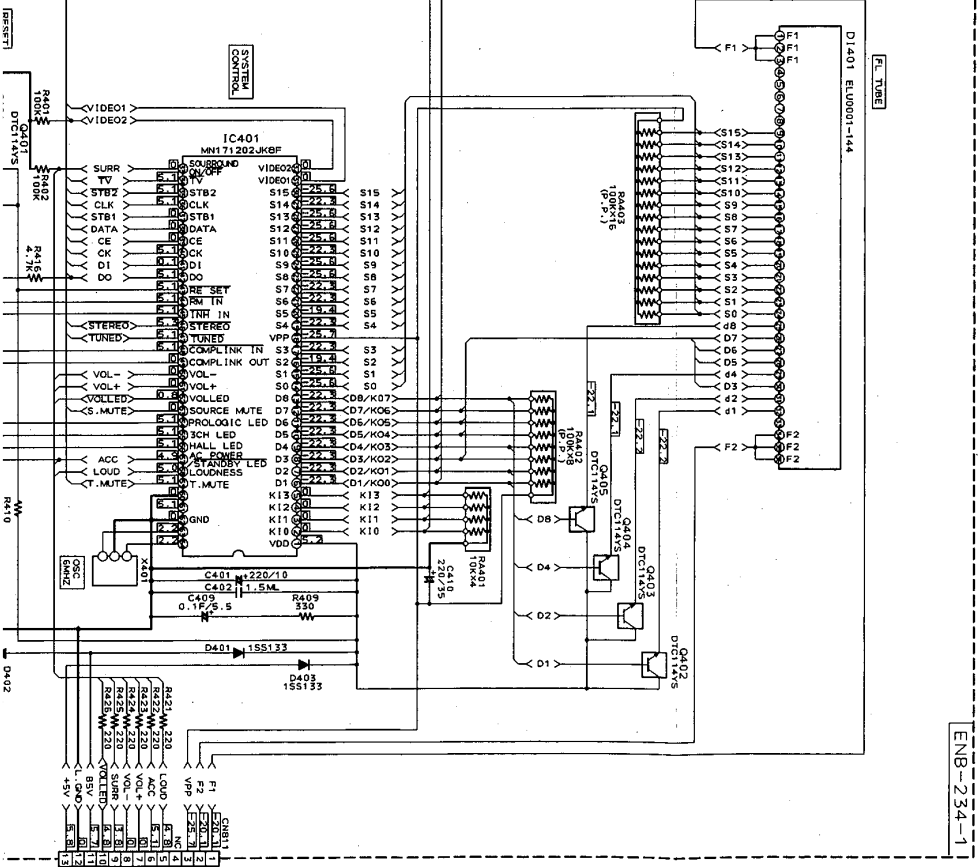
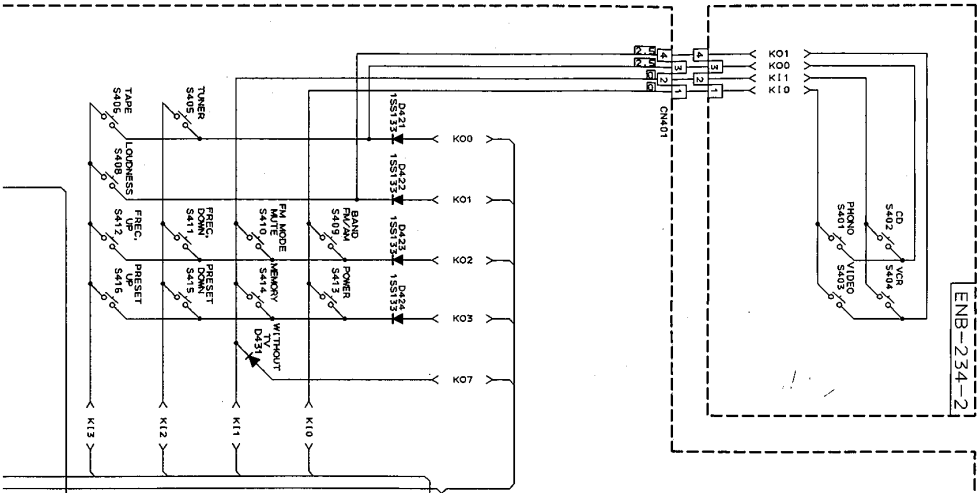




- Notes:**
1. ← indicates Main signal path.
 2. ←← indicates CENTER signal path.
 3. ←←← indicates REAR signal path.
 4. When replacing the parts in the darkened are () and those marked with , be sure to use the designated parts to ensure safety.
 5. This is the standard circuit diagram. The design and contents are subject to change without notice.

NB-234-4

B-234-5

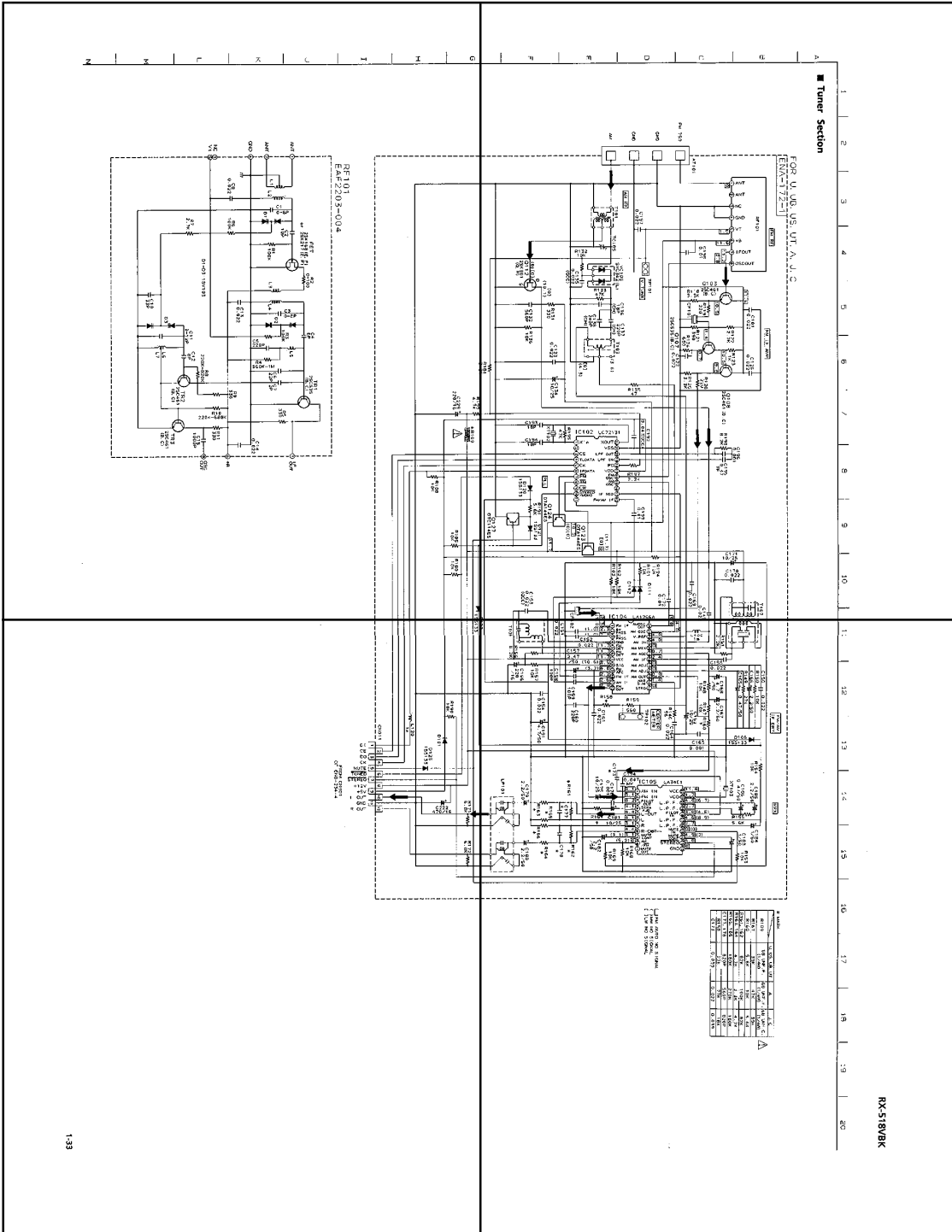


ENB-234-1

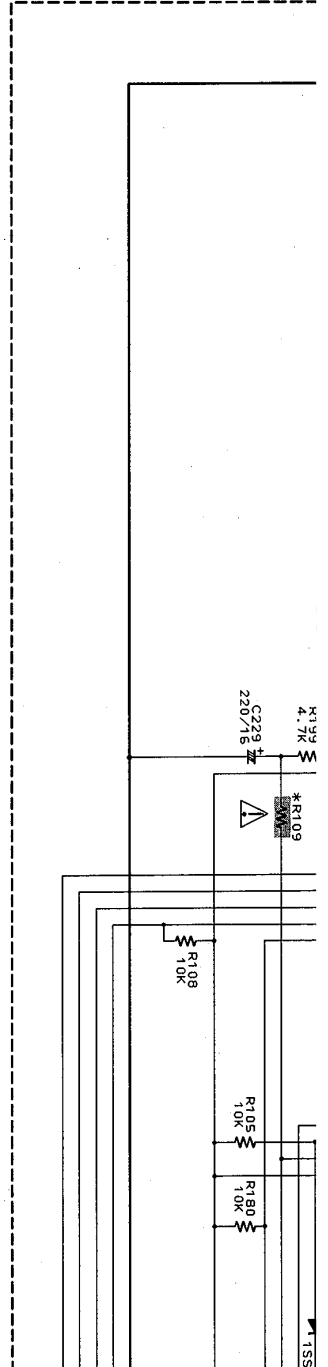
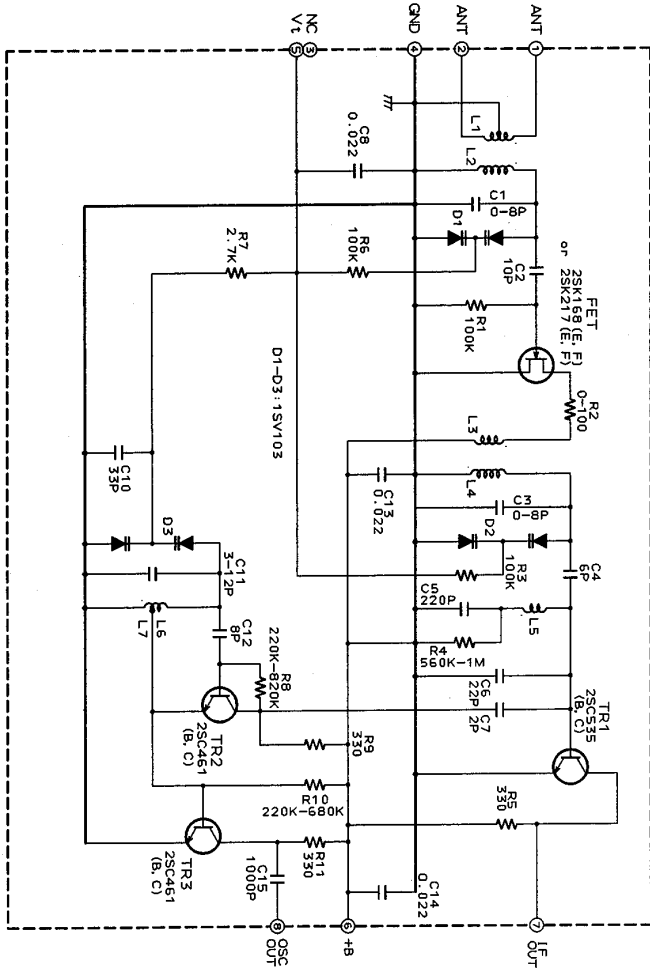
F1	CD	1
F2	VCR	2
F3	PHONO	3
F4	VIDEO	4
F5	VIDEO	5
F6	VIDEO	6
F7	VIDEO	7
F8	VIDEO	8
F9	VIDEO	9
F10	VIDEO	10
F11	VIDEO	11
F12	VIDEO	12
F13	VIDEO	13
F14	VIDEO	14
F15	VIDEO	15
F16	VIDEO	16
F17	VIDEO	17
F18	VIDEO	18
F19	VIDEO	19
F20	VIDEO	20
F21	VIDEO	21
F22	VIDEO	22
F23	VIDEO	23
F24	VIDEO	24
F25	VIDEO	25
F26	VIDEO	26
F27	VIDEO	27
F28	VIDEO	28
F29	VIDEO	29
F30	VIDEO	30
F31	VIDEO	31
F32	VIDEO	32
F33	VIDEO	33
F34	VIDEO	34
F35	VIDEO	35
F36	VIDEO	36
F37	VIDEO	37
F38	VIDEO	38
F39	VIDEO	39
F40	VIDEO	40
F41	VIDEO	41
F42	VIDEO	42
F43	VIDEO	43
F44	VIDEO	44
F45	VIDEO	45
F46	VIDEO	46
F47	VIDEO	47
F48	VIDEO	48
F49	VIDEO	49
F50	VIDEO	50
F51	VIDEO	51
F52	VIDEO	52
F53	VIDEO	53
F54	VIDEO	54
F55	VIDEO	55
F56	VIDEO	56
F57	VIDEO	57
F58	VIDEO	58
F59	VIDEO	59
F60	VIDEO	60
F61	VIDEO	61
F62	VIDEO	62
F63	VIDEO	63
F64	VIDEO	64
F65	VIDEO	65
F66	VIDEO	66
F67	VIDEO	67
F68	VIDEO	68
F69	VIDEO	69
F70	VIDEO	70
F71	VIDEO	71
F72	VIDEO	72
F73	VIDEO	73
F74	VIDEO	74
F75	VIDEO	75
F76	VIDEO	76
F77	VIDEO	77
F78	VIDEO	78
F79	VIDEO	79
F80	VIDEO	80
F81	VIDEO	81
F82	VIDEO	82
F83	VIDEO	83
F84	VIDEO	84
F85	VIDEO	85
F86	VIDEO	86
F87	VIDEO	87
F88	VIDEO	88
F89	VIDEO	89
F90	VIDEO	90
F91	VIDEO	91
F92	VIDEO	92
F93	VIDEO	93
F94	VIDEO	94
F95	VIDEO	95
F96	VIDEO	96
F97	VIDEO	97
F98	VIDEO	98
F99	VIDEO	99
F100	VIDEO	100

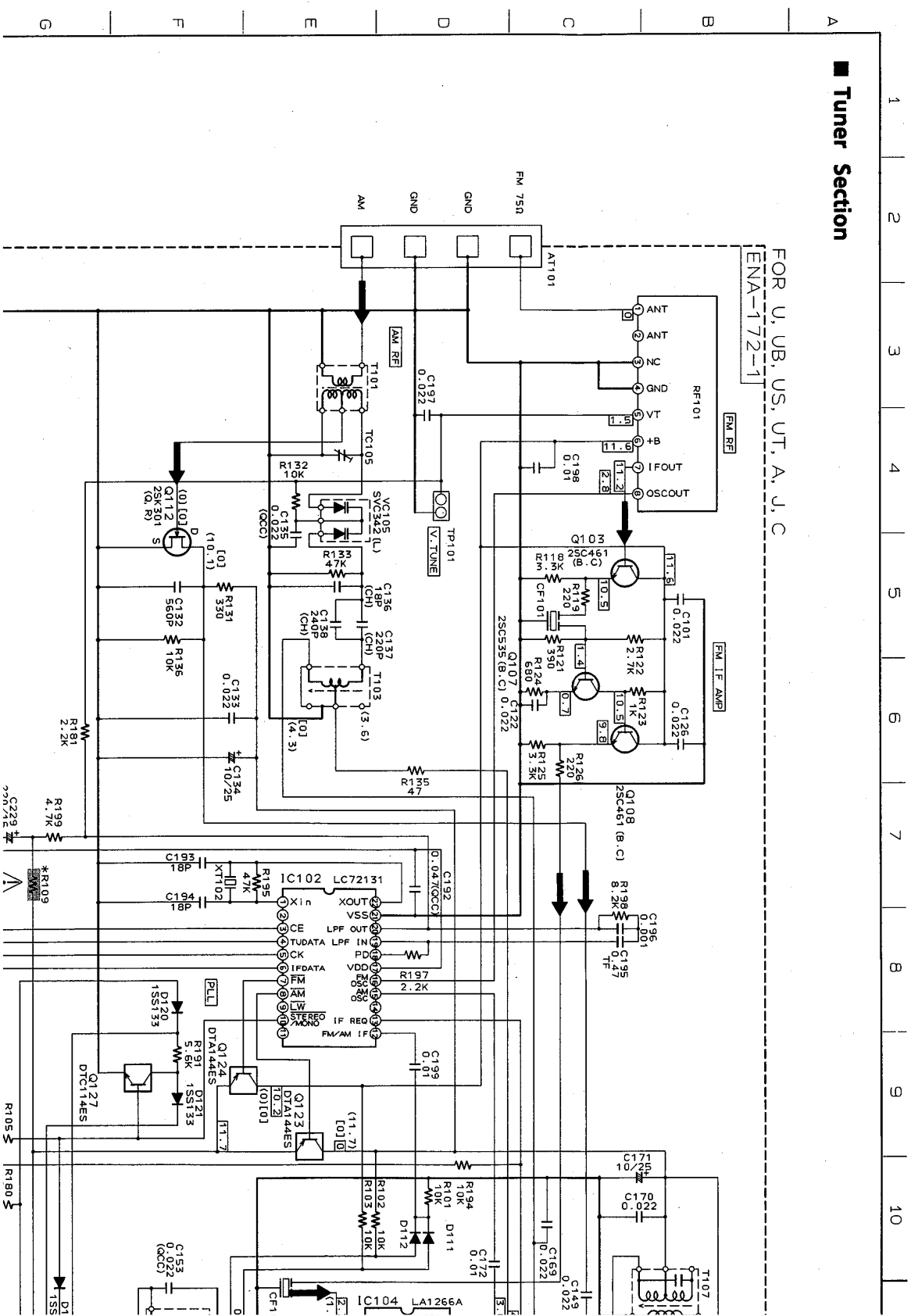
FROM CHART 0F ENH-288-1 (SHEET 23)

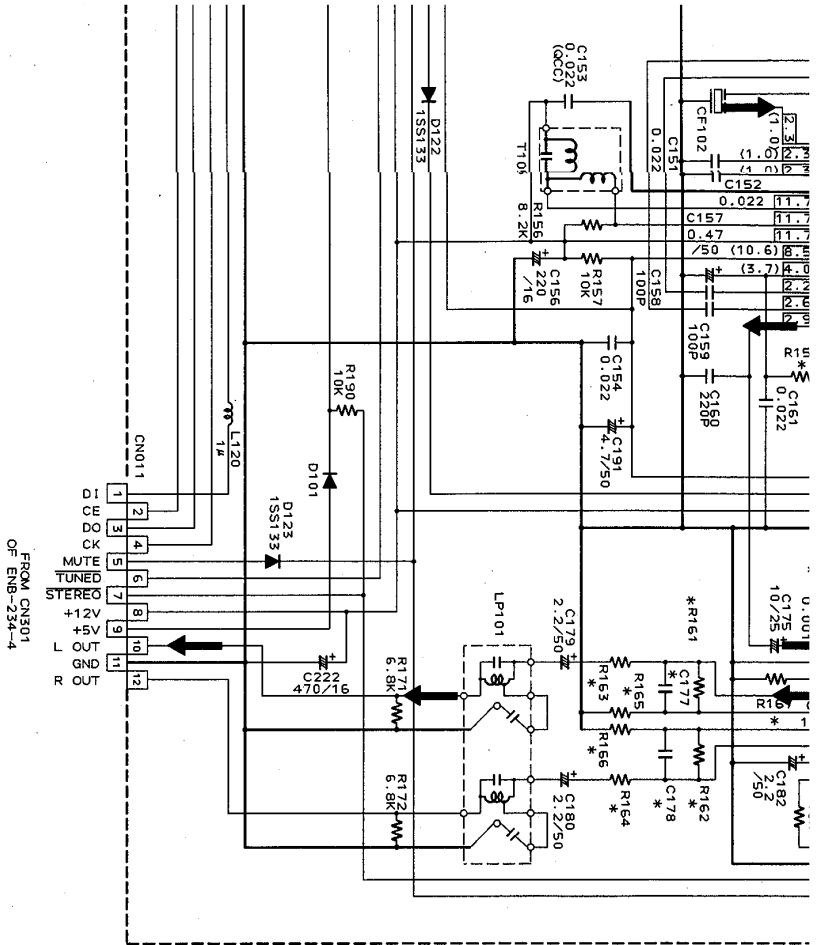
11 | 12 | 13 | 14 | 15 | 16 | 17 | 18 | 19 | 20



RF101
EAF2203-004

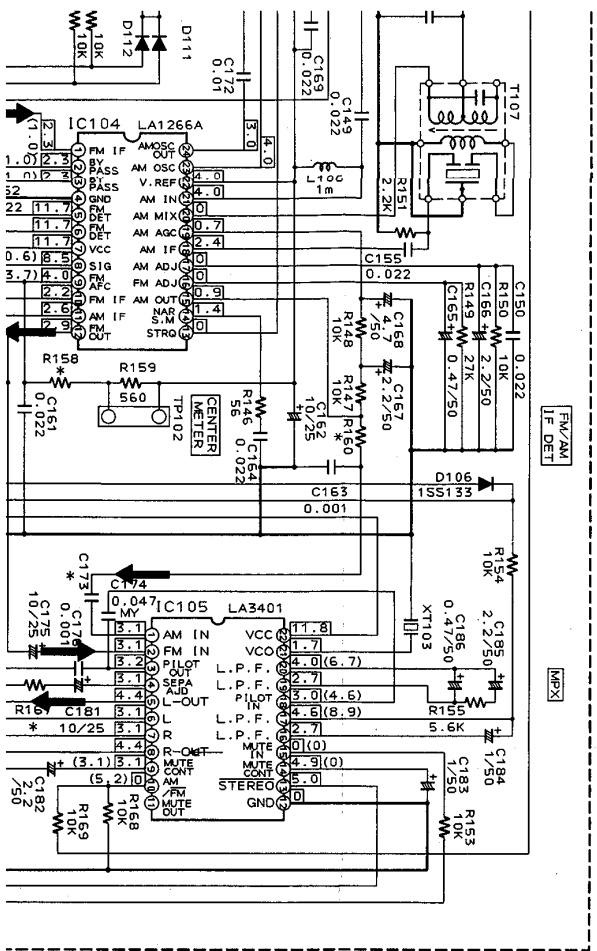






0 | 11 | 12 | 13 | 14 | 15 | 16 | 17 | 18 | 19 | 20

RX-518VBK

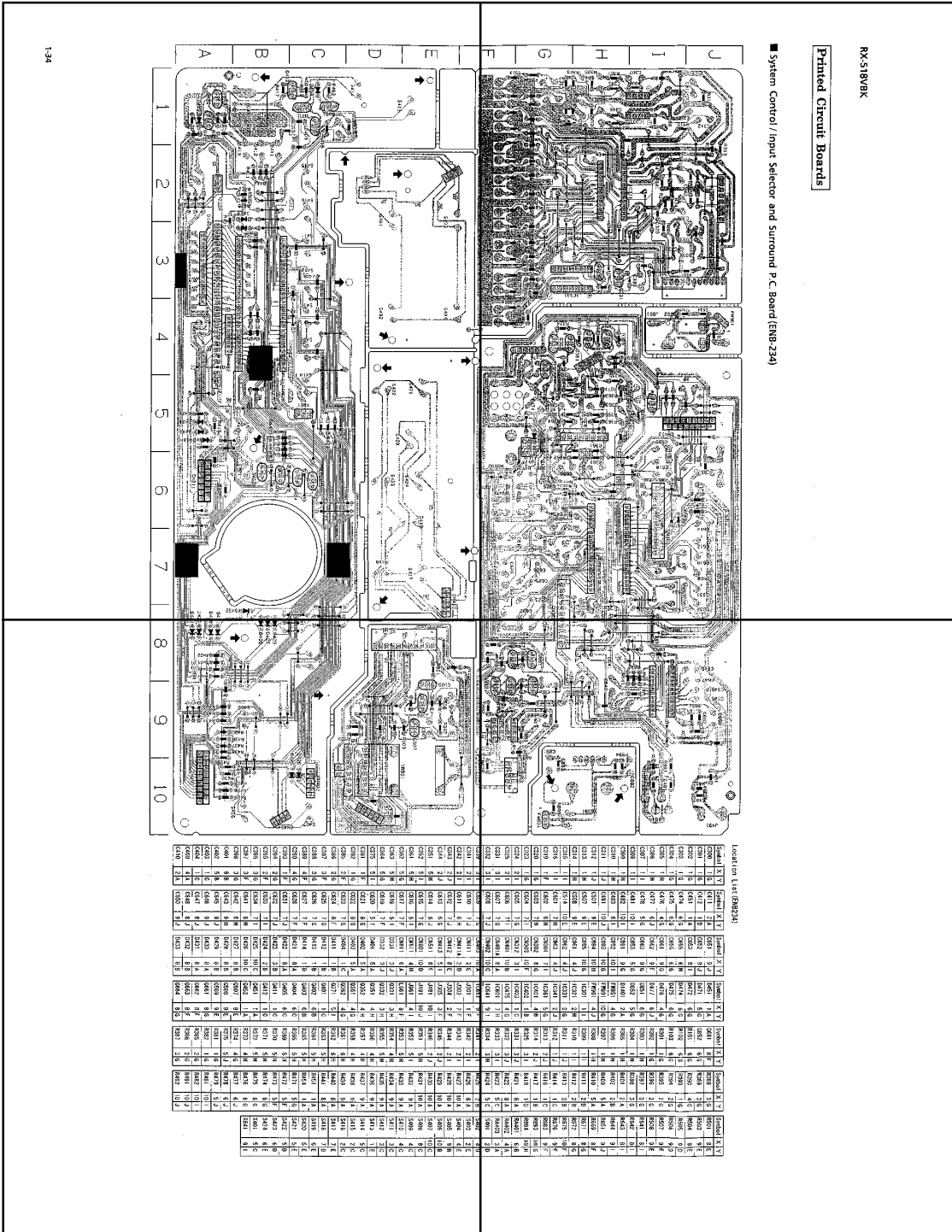


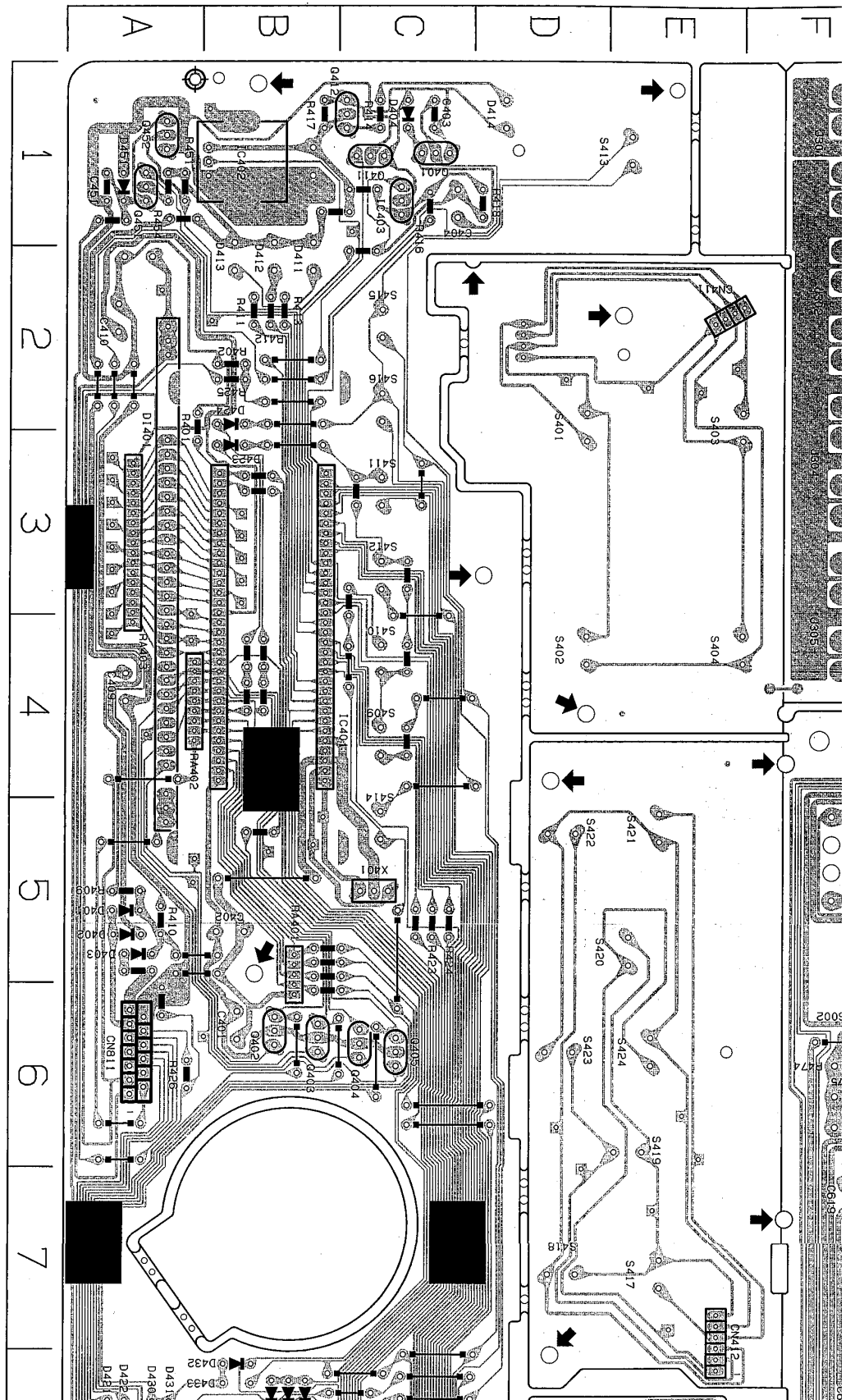
* MARK

	U.S. VB, UT	A	J.C.
R109	68 UNF.F. (1/4W)	68 UNF.F. (1/4W)	68 UNF.F. (1/4W) C.
R167	39K	47K	39K
R160	5.6K	10K	5.6K
R151, 152	82K	100K	82K
R153, 154	4.7K	3.3K	4.7K
R155, 156	180K	270K	180K
R177, 178	820P	560P	820P
R158	27K	27K	18K
C173	0.039	0.022	0.039

FM AUTO. NO. SIGNAL
 LW NO. SIGNAL
 LW NO. SIGNAL





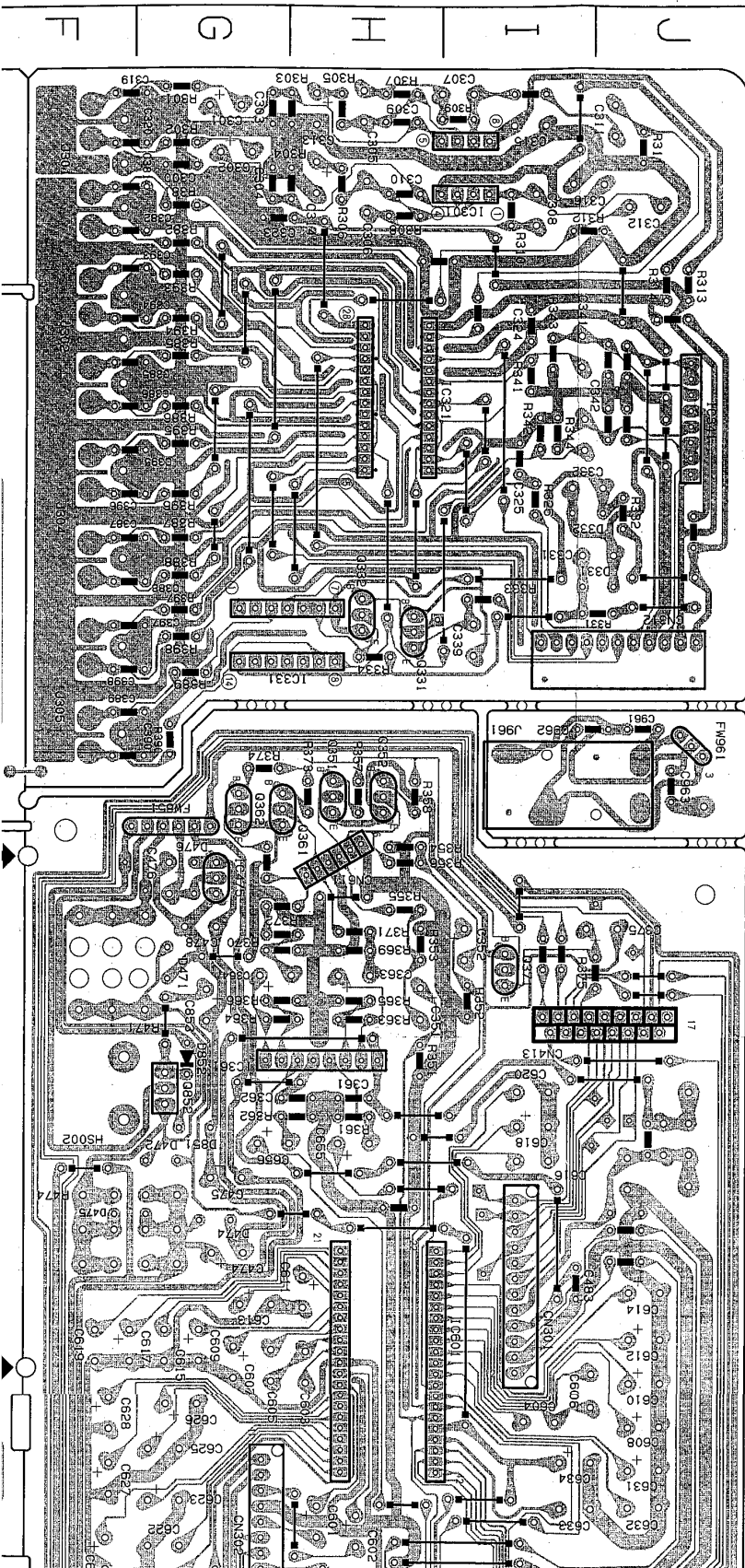


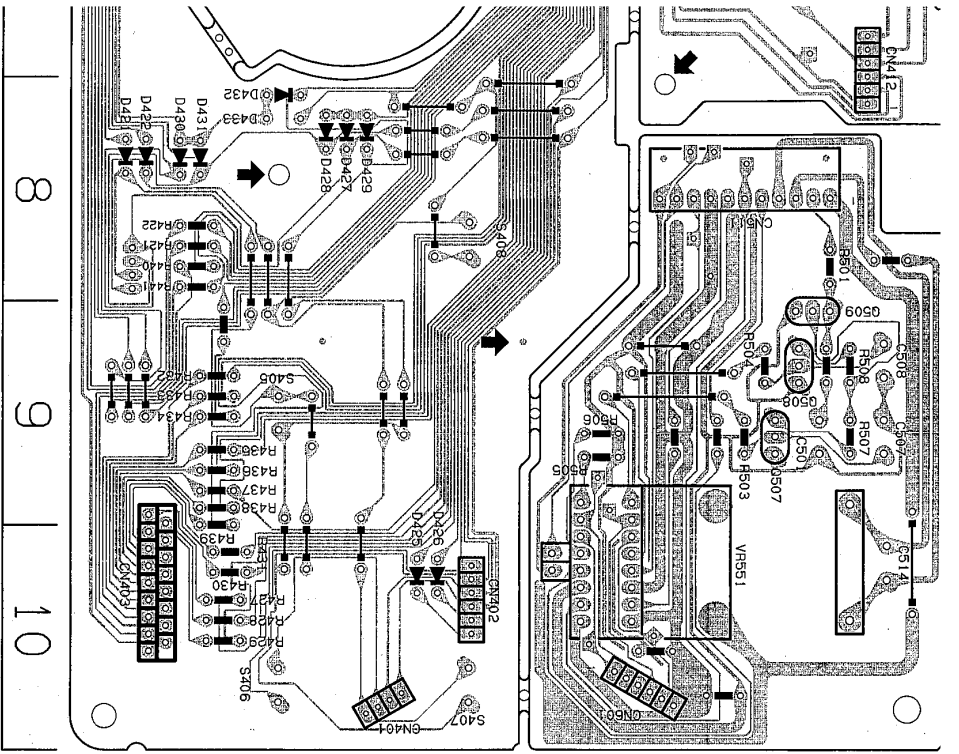
1-34

RX-518VBK

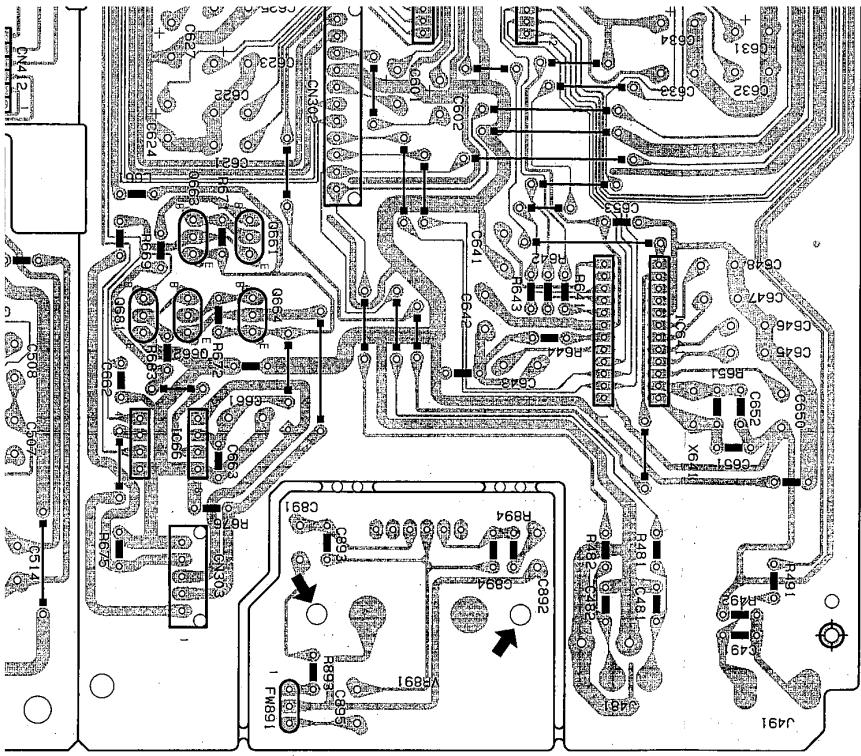
Printed Circuit Boards

■ System Control / Input Selector and Surround P.C. Board (ENB-234)



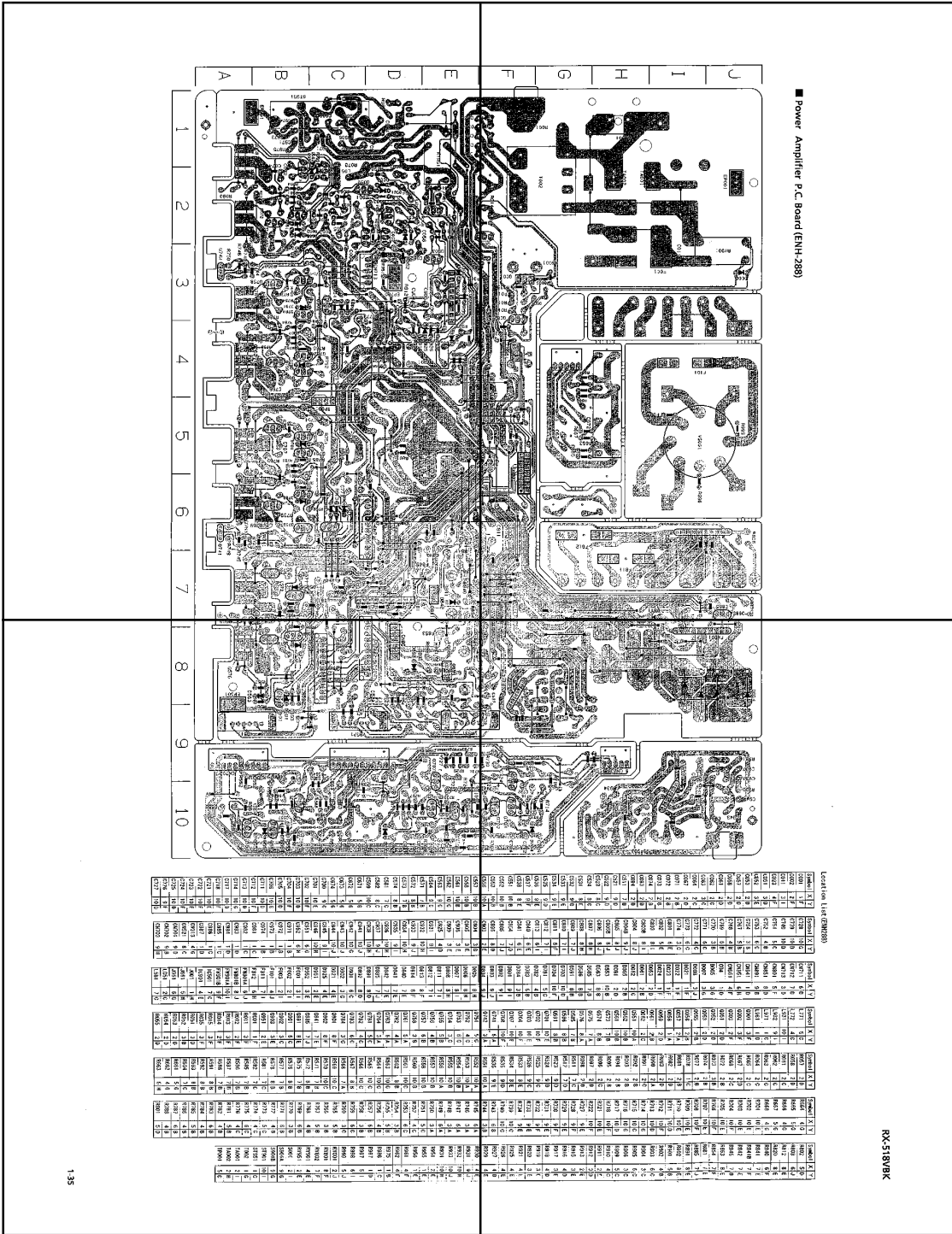


C341	2 I	C610	7 J	CN411	2 E	J301	1 F	R342	2 I	R426	6 A	S403	2 E
C342	2 I	C611	6 H	CN411A	2 D	J302	2 F	R343	2 I	R427	10 A	S404	4 E
C343	2 J	C612	7 J	CN412	8 E	J304	2 F	R344	2 I	R428	10 A	S405	9 B
C344	2 J	C613	6 G	CN413	5 I	J305	3 F	R345	2 J	R429	10 A	S406	10 B
C351	5 H	C614	6 J	CN511	8 E	J481	10 I	R346	2 J	R430	10 A	S407	10 C
C352	5 I	C615	7 G	CN601	10 D	J491	10 J	R351	5 H	R431	10 A	S408	8 C
C361	5 H	C616	6 I	CN611	4 H	J961	4 I	R352	5 I	R432	9 A	S409	4 C
C362	5 G	C617	7 F	CN811	6 A	L661	8 F	R353	5 H	R433	9 A	S410	4 C
C363	5 H	C618	6 I	D331	3 J	C331	3 H	R354	4 H	R434	9 A	S411	3 C
C364	5 G	C619	7 F	D332	3 J	C332	3 H	R355	5 H	R435	9 A	S412	3 C
C375	5 I	C620	5 I	D401	5 A	C351	4 H	R356	4 H	R436	9 A	S413	1 E
C381	1 F	C621	8 G	D402	5 A	C352	4 H	R357	4 H	R437	9 A	S414	5 C
C382	1 G	C622	8 G	D403	5 A	C361	4 G	R358	4 H	R438	9 A	S415	2 C
C385	2 F	C623	7 G	D404	1 C	C362	4 G	R361	6 H	R439	9 A	S416	2 C
C386	2 G	C624	8 F	D411	1 B	C371	5 I	R362	6 H	R440	8 A	S417	7 E
C387	3 F	C625	7 G	D412	1 B	C401	1 C	R363	5 H	R441	8 A	S418	7 D
C388	3 G	C626	7 G	D413	1 B	C402	6 B	R364	5 H	R451	1 A	S419	6 E
C389	4 F	C627	7 F	D414	1 D	C403	6 B	R365	5 H	R454	1 A	S420	5 E
C390	4 G	C628	7 F	D421	8 A	C404	6 C	R366	5 H	R471	5 G	S421	5 E
C393	1 F	C631	7 J	D422	8 A	C405	6 C	R369	5 H	R472	5 F	S422	5 D
C394	2 G	C632	7 J	D423	3 B	C411	1 C	R370	5 H	R473	5 F	S423	6 D
C395	2 F	C633	7 I	D424	2 B	C412	1 C	R371	5 H	R474	6 G	S424	6 E
C396	3 G	C634	7 I	D425	10 C	C451	1 A	R372	5 H	R475	6 G	X401	5 C
C397	3 F	C641	8 H	D426	10 C	C452	1 A	R373	4 H	R476	6 G	X641	9 I
C398	3 G	C642	8 H	D427	8 B	C507	9 E	R374	4 G	R477	6 J		
C401	6 B	C643	9 H	D428	8 B	C508	9 E	R375	5 J	R478	6 J		
C402	5 B	C645	9 J	D429	8 B	C509	9 E	R381	1 G	R479	5 J		
C403	1 C	C646	9 J	D430	8 A	C661	8 G	R382	1 G	R481	10 I		
C404	1 C	C647	8 J	D431	8 A	C662	8 F	R385	2 G	R482	10 I		
C409	4 A	C648	8 J	D432	8 B	C663	8 F	R386	2 G	R491	10 J		
C410	2 A	C650	9 J	D433	8 B	C664	8 G	R387					

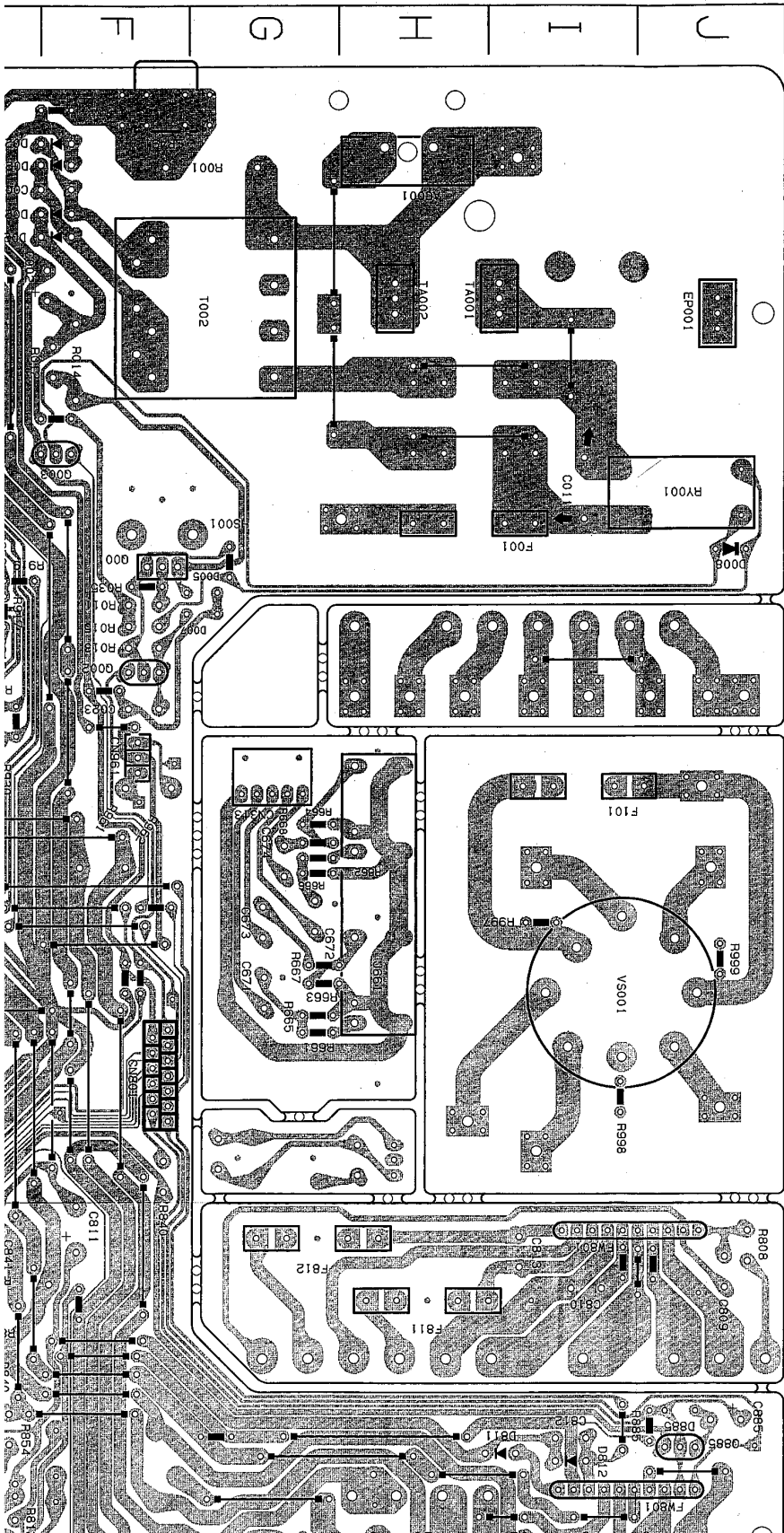


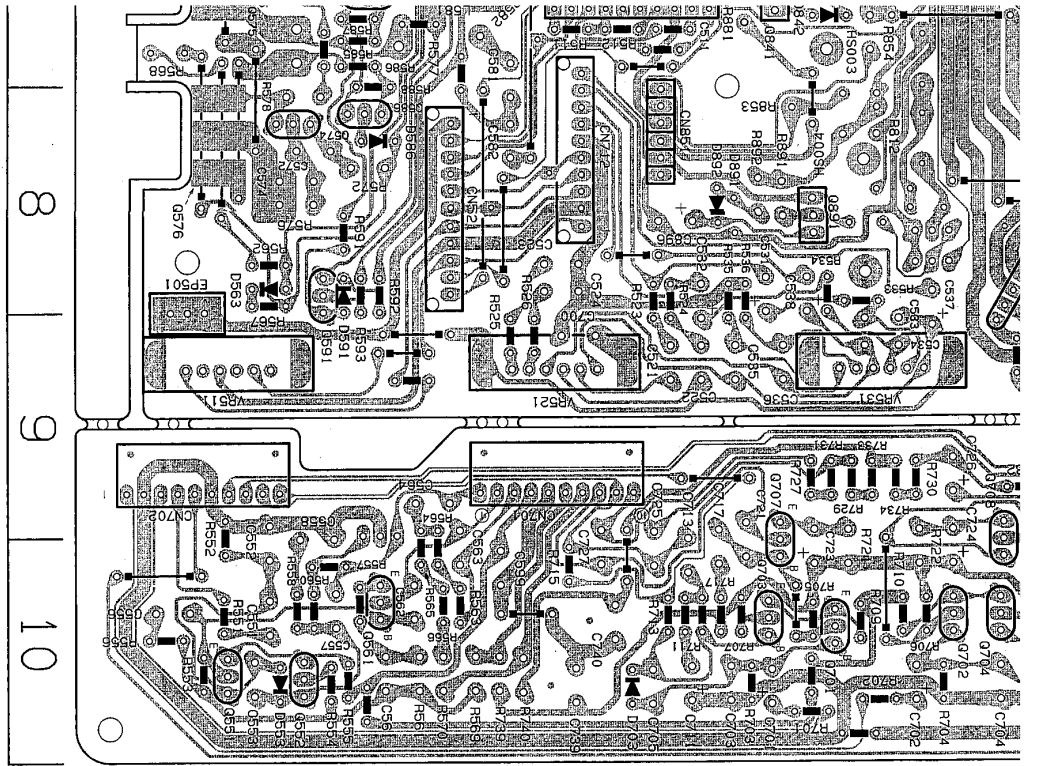
Location List (ENB234)

Symbol	X	Y	Symbol	X	Y	Symbol	X	Y	Symbol	X	Y	Symbol	X	Y	Symbol	X	Y			
C300	1	G	C411	2	A	C651	9	J	D451	1	A	O681	8	F	R388	3	G	R501	8	E
C301	1	G	C412	1	B	C652	9	J	D471	5	G	O852	6	G	R389	3	G	R503	9	E
C302	1	G	C451	1	A	C653	8	I	D472	6	G	R101	6	G	R390	4	G	R504	9	E
C303	1	G	C474	6	G	C655	6	H	D474	6	G	R102	6	G	R393	1	G	R505	9	D
C304	1	G	C475	6	G	C656	6	G	D475	6	G	R103	6	G	R394	2	G	R506	9	D
C305	1	H	C476	4	G	C661	9	G	D476	4	G	R301	1	G	R395	2	G	R507	9	E
C306	1	H	C477	6	J	C662	9	F	D477	6	J	R302	1	G	R396	3	G	R508	9	E
C307	1	I	C478	5	G	C663	9	G	D851	6	G	R303	1	H	R397	3	G	R641	8	I
C308	1	I	C481	10	I	C853	5	G	D852	5	G	R304	1	H	R398	3	G	R642	8	I
C309	1	H	C482	10	I	C891	9	G	D1401	2	A	R305	1	H	R401	2	A	R643	8	I
C310	1	H	C483	6	I	C892	10	I	FW851	4	G	R306	1	H	R402	2	B	R644	9	I
C311	1	J	C491	10	J	C893	10	G	FW991	10	G	R307	1	H	R409	5	A	R651	9	J
C312	1	J	C501	9	E	C894	10	H	FW961	4	J	R308	1	H	R410	5	A	R669	8	F
C313	1	H	C507	9	E	C895	10	G	IC301	1	I	R309	1	I	R411	2	B	R671	8	G
C314	1	H	C508	9	E	C961	4	J	IC321	2	H	R310	1	I	R412	2	B	R672	8	G
C315	1	I	C514	10	E	C962	4	J	IC331	3	G	R311	1	J	R413	2	B	R675	10	F
C316	1	I	C601	7	H	C963	4	J	IC341	2	J	R312	1	J	R414	1	C	R676	9	F
C319	1	F	C602	8	H	C963	7	I	IC361	5	G	R313	2	J	R416	1	C	R683	9	F
C320	1	G	C603	7	H	C963	8	G	IC401	4	B	R314	2	J	R417	1	B	R893	10	G
C323	1	G	C604	7	I	C963	10	F	IC402	1	B	R325	3	I	R418	1	D	R894	10	H
C324	2	I	C605	7	G	C963	3	I	IC403	1	C	R331	3	J	R421	8	A	RA401	6	B
C325	2	I	C606	7	I	C963	10	B	IC475	4	G	R332	3	J	R422	8	A	RA402	4	A
C331	3	I	C607	7	G	C963	8	A	IC601	7	H	R333	3	I	R423	5	C	RA403	3	A
C332	3	I	C608	7	J	C963	10	C	IC641	9	I	R334	3	H	R424	5	C	S401	2	D
C339	3	I	C609	7	G	C963	10	A	IC661	9	F	R341	2	I	R425	2	B	S402	4	D
C341	2	I	C610	7	J	C963	2	E	IC301	1	F	R342	2	I	R426	6	A	S403	2	E
C342	2	I	C611	6	H	C963	2	D	IC302	2	F	R343	2	I	R427	10	A	S404	4	E
C343	2	I	C612	7	I	C963	8	F	IC304	2	F	R344	2	I	RA29	10	A	S405	4	E



■ Power Amplifier P.C. Board (ENH-288)

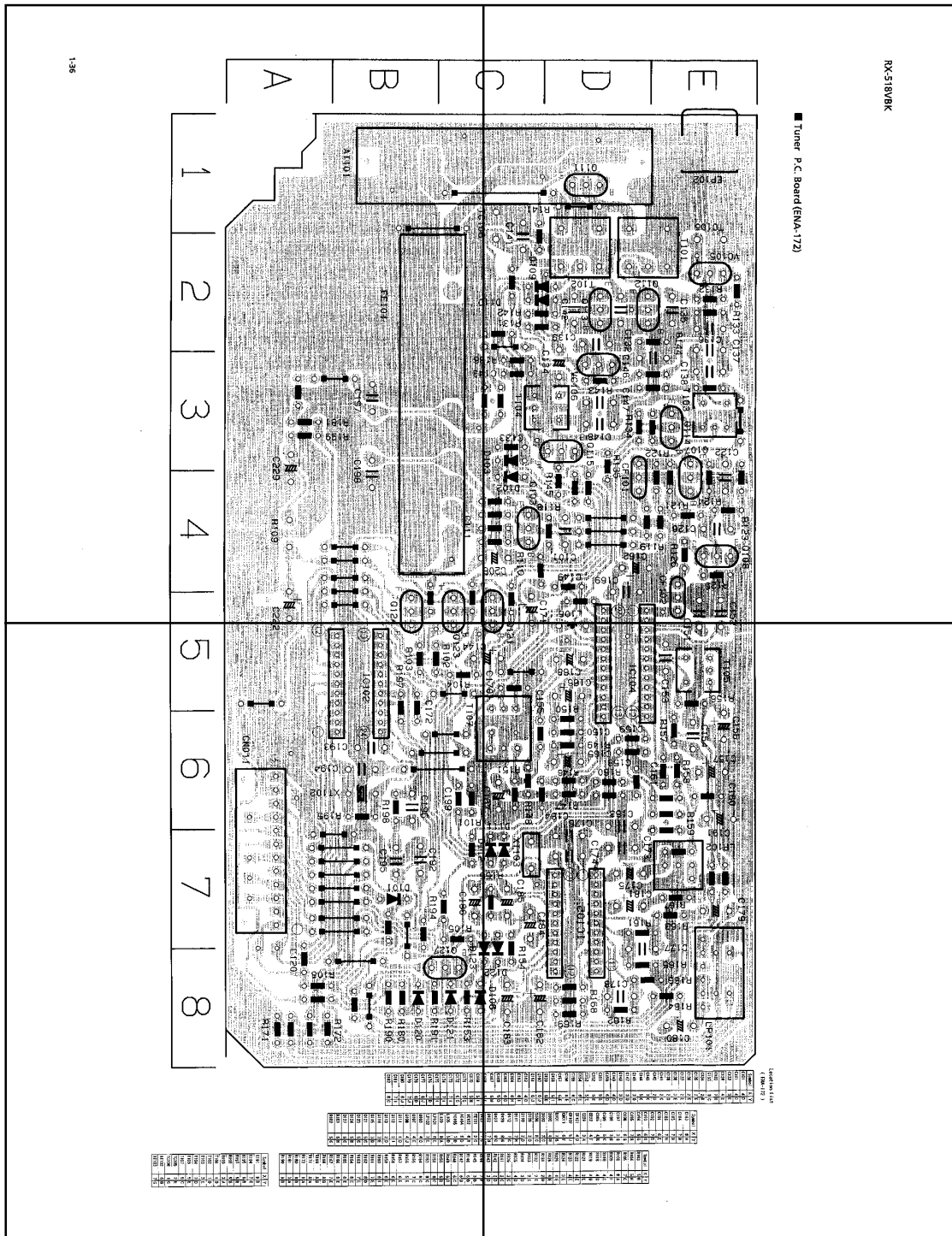




C551	10 B	C554	7 D	D801	9 I	0707	10 E	R534	8 E	R739	10 C	R925	4 E
C552	10 B	C555	7 J	D802	9 I	0708	10 F	R535	9 D	R740	10 C	R926	4 E
C553	10 B	C556	8 D	D803	9 J	0741	6 A	R536	9 E	R743	6 B	R927	4 D
C555	10 A	C557	2 E	D804	9 J	0742	3 A	R551	10 A	R744	3 B	R929	4 E
C557	10 B	C558	3 D	D805	8 H	0751	5 C	R552	10 A	R745	6 A	R930	4 E
C558	10 B	C559	3 E	D806	8 H	0752	4 C	R553	10 A	R746	3 A	R931	9 J
C561	10 B	C562	3 E	D807	8 I	0753	6 C	R554	10 B	R747	6 A	R932	10 H
C562	10 C	C563	3 E	D808	8 H	0754	3 C	R555	10 B	R748	3 A	R933	10 J
C563	9 C	C564	4 D	D811	7 I	0755	5 B	R556	10 A	R749	6 A	R934	10 H
C564	9 C	C565	9 I	D812	7 I	0756	4 B	R557	10 B	R750	3 A	R951	2 E
C571	7 B	C572	10 H	D813	8 F	0757	6 B	R558	10 B	R751	5 C	R955	1 E
C572	8 B	C573	9 J	D814	8 F	0758	3 B	R560	10 B	R752	4 C	R956	1 E
C573	7 B	C574	10 H	D840	7 E	0761	5 A	R561	10 C	R753	6 C	R961	4 F
C574	8 B	C581	9 I	D841	7 E	0762	4 A	R562	8 B	R754	3 B	R962	4 F
C581	7 C	C582	8 C	D842	7 E	0763	6 A	R563	10 C	R755	5 B	R975	1 B
C582	8 C	C589	9 J	D885	7 J	0764	3 A	R564	10 C	R756	4 B	R986	1 C
C589	10 C	C592	10 H	D891	8 D	0781	5 C	R565	10 C	R757	6 B	R987	5 I
C671	5 G	C672	10 J	D892	8 D	0782	4 C	R566	10 C	R758	3 B	R997	5 I
C672	5 G	C673	10 G	D901	6 C	0783	6 C	R567	8 B	R759	6 C	R998	6 I
C673	5 G	C674	10 J	D902	3 C	0784	3 C	R568	7 A	R760	3 C	R999	5 J
C674	5 G	C700	9 C	D921	4 E	0801	8 F	R569	10 C	R765	5 B	RY001	2 J
C700	9 C	C701	10 E	D925	4 E	0802	8 F	R570	10 C	R766	3 B	RY801	8 F
C701	10 E	C702	10 F	D951	2 E	0841	7 E	R571	7 B	R767	5 B	RY802	7 F
C702	10 F	C703	10 D	D952	3 E	0885	7 J	R572	8 B	R768	4 B	RY901	4 E
C703	10 D	C704	10 F	F001	3 I	0891	8 E	R575	7 B	R769	6 B	RY951	2 E
C704	10 F	C705	10 F	F002	2 I	0901	6 C	R576	8 B	R770	3 B	S001	2 I
C705	10 D	C706	10 G	F003	2 I	0902	3 C	R577	7 B	R771	6 B	S901A	9 G
C706	10 G	C711	10 D	F811	4 J	0903	3 E	R578	8 B	R772	4 B	S901B	9 G
C711	10 D	C712	10 F	F812	7 I	0951	2 E	R581	7 C	R773	5 C	ST901	10 I
C712	10 F	C713	10 D	F812	6 H	0951	1 F	R582	7 C	R774	4 C	ST951	1 C
C713	10 D	C714	10 G	F812	6 H	0981	1 F	R585	7 B	R775	6 C	T002	1 G
C714	10 G	C717	10 D	F812	6 H	0981	1 F	R586	7 B	R776	4 C	TA001	2 I
C717	10 D	C718	10 F	F812	6 H	0981	1 F	R587	7 B	R777	6 C	TA002	2 H
C718	10 F	C721	10 E	F812	6 H	0981	1 F	R588	7 B	R778	4 C	TP001	5 C
C721	10 E	C722	10 F	F812	6 H	0981	1 F	R589	7 B	R779	6 C		
C722	10 F	C723	10 E	F812	6 H	0981	1 F	R591	8 B	R782	4 B		
C723	10 E	C724	10 F	F812	6 H	0981	1 F	R592	8 B	R783	6 B		
C724	10 F	C725	10 D	F812	6 H	0981	1 F	R593	8 B	R784	4 B		
C725	10 D	C726	9 F	F812	6 H	0981	1 F	R594	8 B	R785	5 B		
C726	9 F	C727	10 D	F812	6 H	0981	1 F	R595	8 B	R786	4 B		
C727	10 D			F812	6 H	0981	1 F	R596	8 B	R787	6 B		
				F812	6 H	0981	1 F	R597	8 B	R788	4 B		
				F812	6 H	0981	1 F	R598	8 B	R801	5 D		

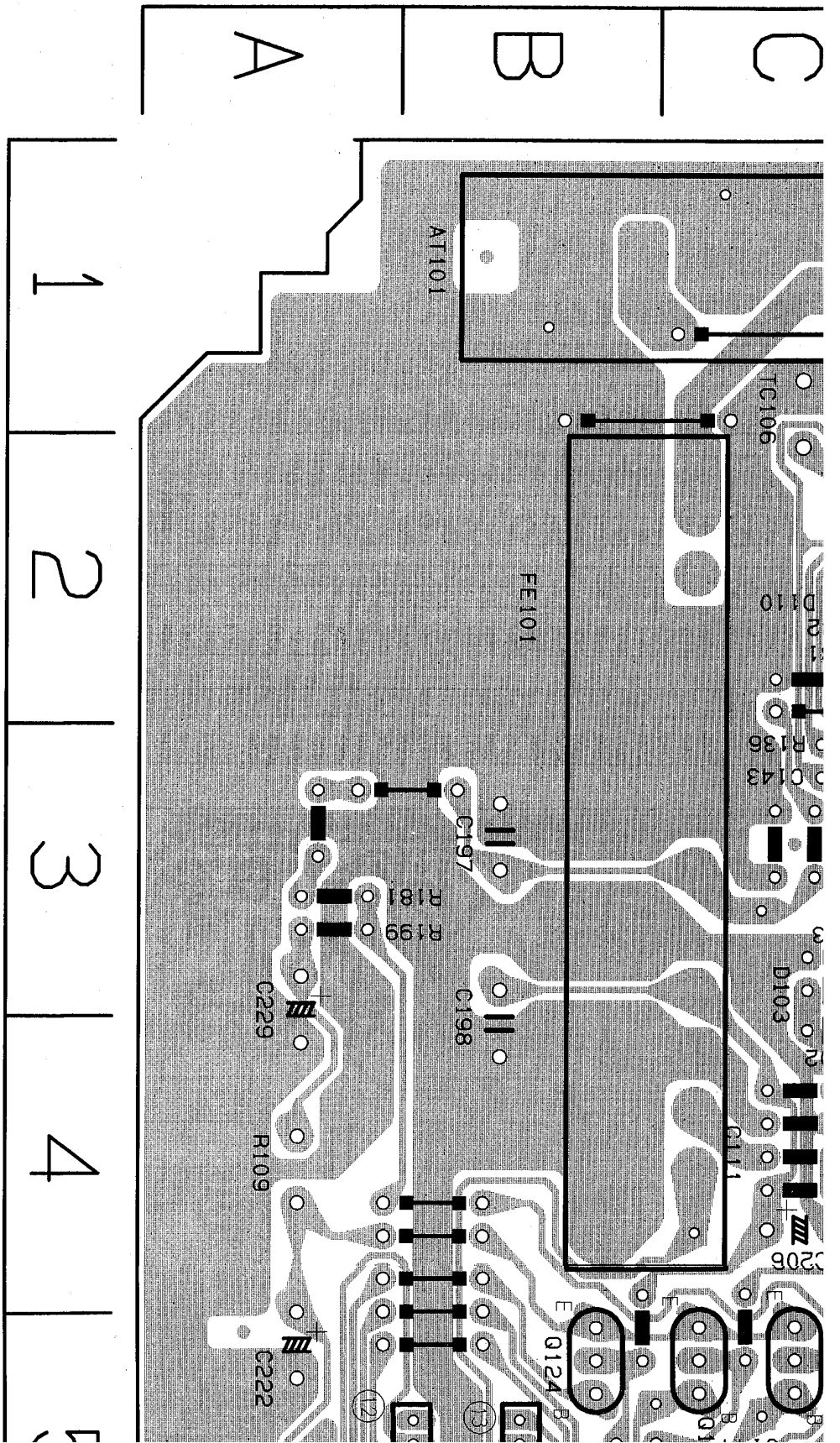
P1-36-a

P1-36-b

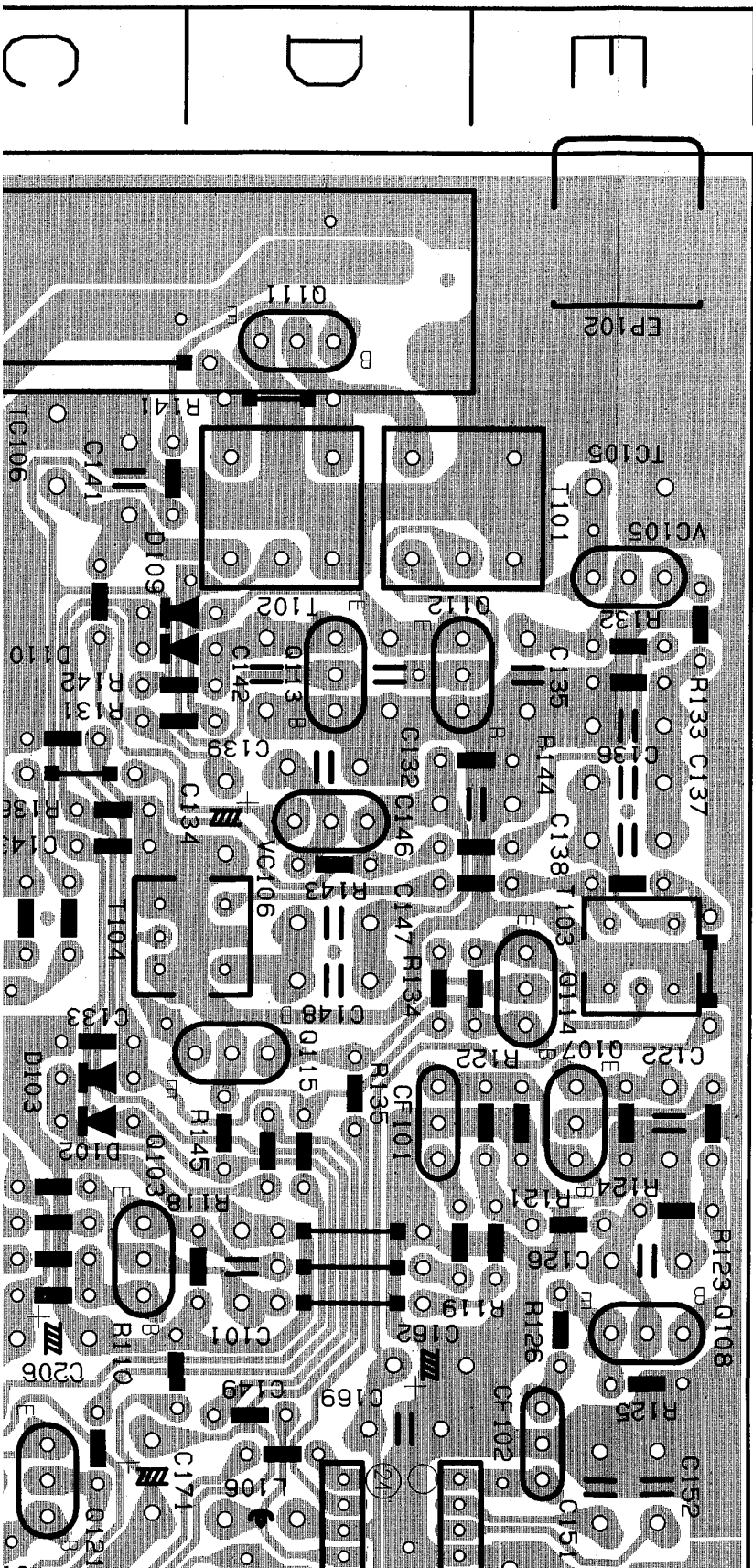


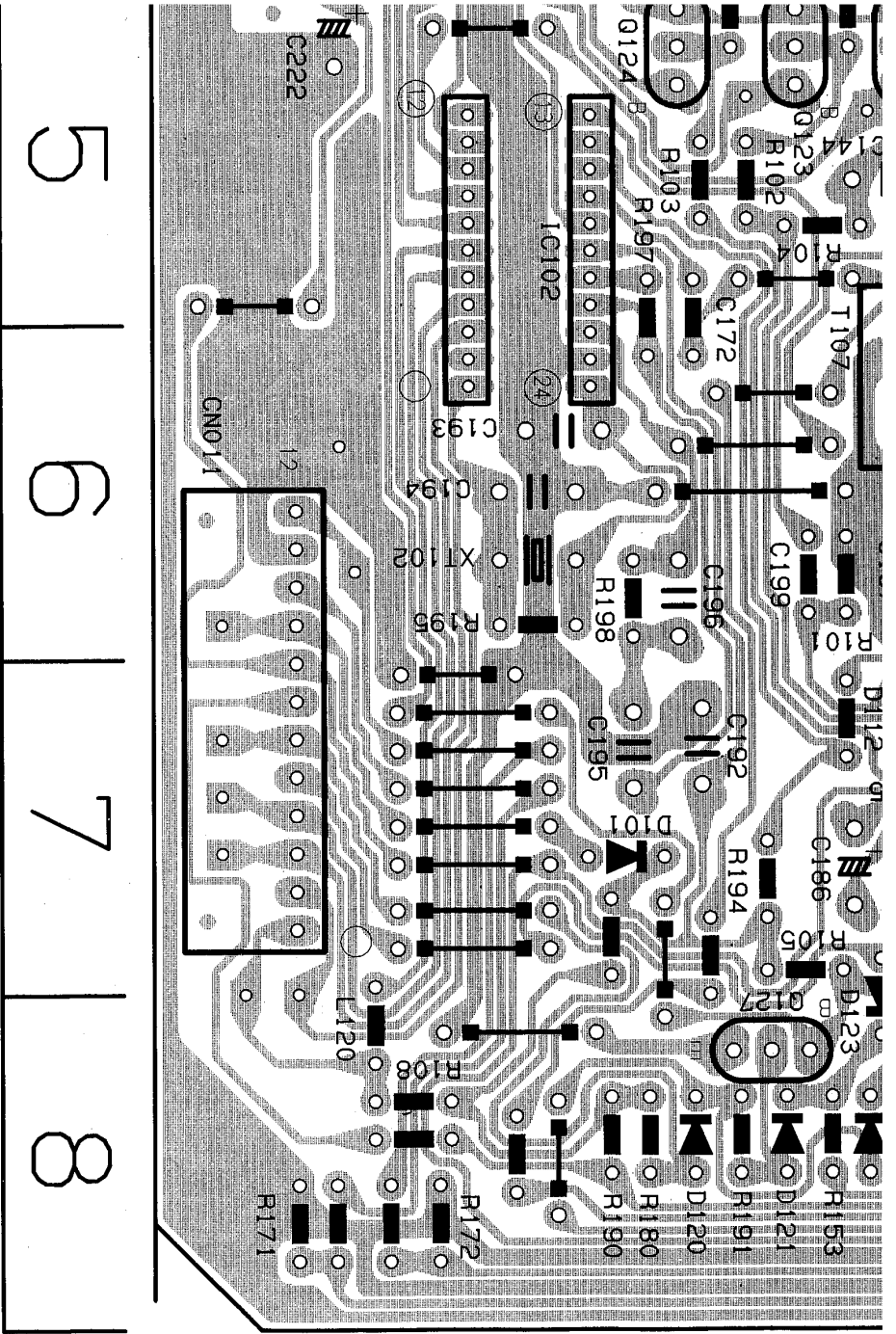
P1-36-c

P1-36-d



■ Tuner P.C. Board (ENA-172)





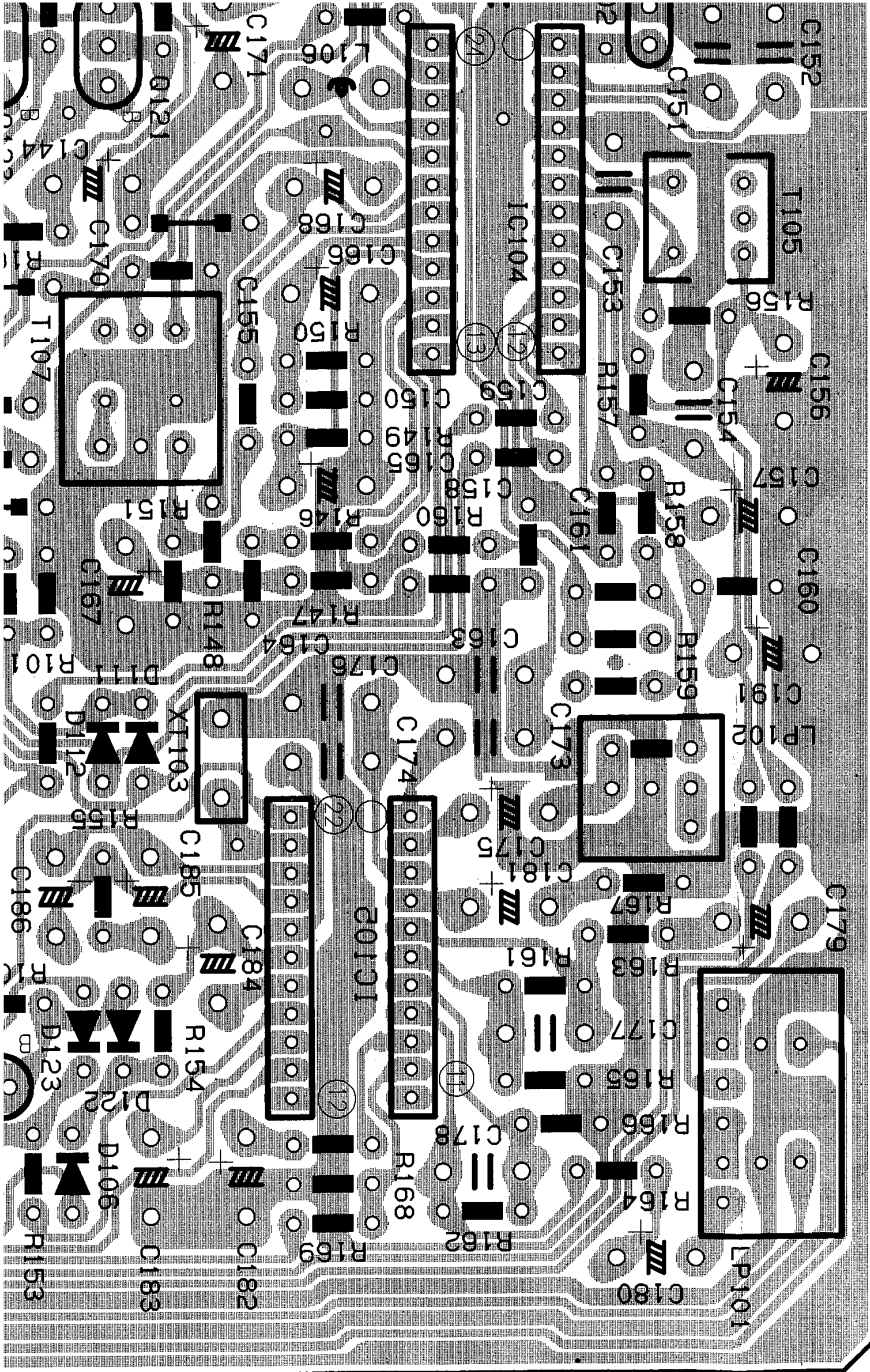
R199	8C
R198	7I
R197	8J
R196	7J
R195	8J
R194	7I
R193	8C
R192	7I
R191	8C
R190	7I
R189	8C
R188	7I
R187	8C
R186	7I
R185	8C
R184	7I
R183	8C
R182	7I
R181	8C
R180	7I
R179	8C
R178	7I
R177	8C
R176	7I
R175	8C
R174	7I
R173	8C
R172	7I
R171	8C
R170	7I
R169	8C
R168	7I
R167	8C
R166	7I
R165	8C
R164	7I
R163	8C
R162	7I
R161	8C
R160	7I
R159	8C
R158	7I
R157	8C
R156	7I
R155	8C
R154	7I
R153	8C
R152	7I
R151	8C
R150	7I
R149	8C
R148	7I
R147	8C
R146	7I
R145	8C
R144	7I

D123	7I
D122	7C
D121	7C
D120	7C
D119	7C
D118	7C
D117	7C
D116	7C
D115	7C
D114	7C
D113	7C
D112	7C
D111	7C
D110	7C
D109	7C
D108	7C
D107	7C
D106	7C
D105	7C
D104	7C
D103	7C
D102	7C
D101	7C
D100	7C
D99	7C
D98	7C
D97	7C
D96	7C
D95	7C
D94	7C
D93	7C
D92	7C
D91	7C
D90	7C
D89	7C
D88	7C
D87	7C
D86	7C
D85	7C
D84	7C
D83	7C
D82	7C
D81	7C
D80	7C
D79	7C
D78	7C
D77	7C
D76	7C
D75	7C
D74	7C
D73	7C
D72	7C
D71	7C
D70	7C
D69	7C
D68	7C
D67	7C
D66	7C
D65	7C
D64	7C
D63	7C
D62	7C
D61	7C
D60	7C
D59	7C
D58	7C
D57	7C
D56	7C
D55	7C
D54	7C
D53	7C
D52	7C
D51	7C
D50	7C
D49	7C
D48	7C
D47	7C
D46	7C
D45	7C
D44	7C
D43	7C
D42	7C
D41	7C
D40	7C
D39	7C
D38	7C
D37	7C
D36	7C
D35	7C
D34	7C
D33	7C
D32	7C
D31	7C
D30	7C
D29	7C
D28	7C
D27	7C
D26	7C
D25	7C
D24	7C
D23	7C
D22	7C
D21	7C
D20	7C
D19	7C
D18	7C
D17	7C
D16	7C
D15	7C
D14	7C
D13	7C
D12	7C
D11	7C
D10	7C
D9	7C
D8	7C
D7	7C
D6	7C
D5	7C
D4	7C
D3	7C
D2	7C
D1	7C

R199	8B
R198	7E
R197	8D
R196	7E
R195	8D
R194	7E
R193	8D
R192	7E
R191	8D
R190	7E
R189	8D
R188	7E
R187	8D
R186	7E
R185	8D
R184	7E
R183	8D
R182	7E
R181	8D
R180	7E
R179	8D
R178	7E
R177	8D
R176	7E
R175	8D
R174	7E
R173	8D
R172	7E
R171	8D
R170	7E
R169	8D
R168	7E
R167	8D
R166	7E
R165	8D
R164	7E
R163	8D
R162	7E
R161	8D
R160	7E
R159	8D
R158	7E
R157	8D
R156	7E
R155	8D
R154	7E
R153	8D
R152	7E
R151	8D
R150	7E
R149	8D
R148	7E
R147	8D
R146	7E
R145	8D
R144	7E

Symbol	X	Y
R191	8B	
R194	7C	
R195	6B	
R197	6B	
R198	6B	
R199	3A	
T101	1D	
T102	1D	
T103	3E	
T104	3D	
T105	5E	
T107	5C	
T108	2E	
X102	6B	
X103	7C	

5 | 6 | 7 | 8



Location List
(ENA-172)

Symbol	X	Y
C101	4D	
C111	4C	
C122	3E	
C126	4E	
C132	2D	
C133	3C	
C134	2D	
C135	2E	
C136	2E	
C137	2E	
C138	3E	
C139	2D	
C141	2C	
C142	2D	
C143	3C	
C144	5C	
C146	3D	
C147	3D	
C149	4D	
C150	6D	
C151	5E	
C152	5E	
C153	5E	
C154	5E	
C155	5E	
C156	5E	
C157	5E	
C158	6I	
C159	6D	
C160	6J	
C161	6J	
C162	4D	
C163	6I	
C164	6H	
C165	6D	
C166	5D	
C167	6H	
C168	5I	
C169	5I	
C170	5H	
C171	5E	
C172	5E	
C173	5E	
C174	5E	
C175	5E	
C176	5E	
C177	5E	
C178	5E	
C179	5E	
C180	5E	
C181	5E	
C182	5E	
C183	5E	
C184	5E	
C185	5E	
C186	5E	
D106	7C	
D112	7C	
D122	7C	
D123	7C	
D151	7C	
D152	7C	
D153	7C	
D154	7C	
D155	7C	
D156	7C	
D157	7C	
D158	7C	
D159	7C	
D160	7C	
D161	7C	
D162	7C	
D163	7C	
D164	7C	
D165	7C	
D166	7C	
D167	7C	
D168	7C	
D169	7C	
D170	7C	
D171	7C	
D172	7C	
D173	7C	
D174	7C	
D175	7C	
D176	7C	
D177	7C	
D178	7C	
D179	7C	
D180	7C	
D181	7C	
D182	7C	
D183	7C	
D184	7C	
D185	7C	
D186	7C	
D187	7C	
D188	7C	
D189	7C	
D190	7C	
D191	7C	
D192	7C	
D193	7C	
D194	7C	
D195	7C	
D196	7C	
D197	7C	
D198	7C	
D199	7C	
D200	7C	
D201	7C	
D202	7C	
D203	7C	
D204	7C	
D205	7C	
D206	7C	
D207	7C	
D208	7C	
D209	7C	
D210	7C	
D211	7C	
D212	7C	
D213	7C	
D214	7C	
D215	7C	
D216	7C	
D217	7C	
D218	7C	
D219	7C	
D220	7C	
D221	7C	
D222	7C	
D223	7C	
D224	7C	
D225	7C	
D226	7C	
D227	7C	
D228	7C	
D229	7C	
D230	7C	
D231	7C	
D232	7C	
D233	7C	
D234	7C	
D235	7C	
D236	7C	
D237	7C	
D238	7C	
D239	7C	
D240	7C	
D241	7C	
D242	7C	
D243	7C	
D244	7C	
D245	7C	
D246	7C	
D247	7C	
D248	7C	
D249	7C	
D250	7C	
D251	7C	
D252	7C	
D253	7C	
D254	7C	
D255	7C	
D256	7C	
D257	7C	
D258	7C	
D259	7C	
D260	7C	
D261	7C	
D262	7C	
D263	7C	
D264	7C	
D265	7C	
D266	7C	
D267	7C	
D268	7C	
D269	7C	
D270	7C	
D271	7C	
D272	7C	
D273	7C	
D274	7C	
D275	7C	
D276	7C	
D277	7C	
D278	7C	
D279	7C	
D280	7C	
D281	7C	
D282	7C	
D283	7C	
D284	7C	
D285	7C	
D286	7C	
D287	7C	
D288	7C	
D289	7C	
D290	7C	
D291	7C	
D292	7C	
D293	7C	
D294	7C	
D295	7C	
D296	7C	
D297	7C	
D298	7C	
D299	7C	
D300	7C	
D301	7C	
D302	7C	
D303	7C	
D304	7C	
D305	7C	
D306	7C	
D307	7C	
D308	7C	
D309	7C	
D310	7C	
D311	7C	
D312	7C	
D313	7C	
D314	7C	
D315	7C	
D316	7C	
D317	7C	
D318	7C	
D319	7C	
D320	7C	
D321	7C	
D322	7C	
D323	7C	
D324	7C	
D325	7C	
D326	7C	
D327	7C	
D328	7C	
D329	7C	
D330	7C	
D331	7C	
D332	7C	
D333	7C	
D334	7C	
D335	7C	
D336	7C	
D337	7C	
D338	7C	
D339	7C	
D340	7C	
D341	7C	
D342	7C	
D343	7C	
D344	7C	
D345	7C	
D346	7C	
D347	7C	
D348	7C	
D349	7C	
D350	7C	
D351	7C	
D352	7C	
D353	7C	
D354	7C	
D355	7C	
D356	7C	
D357	7C	
D358	7C	
D359	7C	
D360	7C	
D361	7C	
D362	7C	
D363	7C	
D364	7C	
D365	7C	
D366	7C	
D367	7C	
D368	7C	
D369	7C	
D370	7C	
D371	7C	
D372	7C	
D373	7C	
D374	7C	
D375	7C	
D376	7C	
D377	7C	
D378	7C	
D379	7C	
D380	7C	
D381	7C	
D382	7C	
D383	7C	
D384	7C	
D385	7C	
D386	7C	
D387	7C	
D388	7C	
D389	7C	
D390	7C	
D391	7C	
D392	7C	
D393	7C	
D394	7C	
D395	7C	
D396	7C	
D397	7C	
D398	7C	
D399	7C	
D400	7C	
D401	7C	
D402	7C	
D403	7C	
D404	7C	
D405	7C	
D406	7C	
D407	7C	
D408	7C	
D409	7C	
D410	7C	
D411	7C	
D412	7C	
D413	7C	
D414	7C	
D415	7C	
D416	7C	
D417	7C	
D418	7C	
D419	7C	
D420	7C	
D421	7C	
D422	7C	
D423	7C	
D424	7C	
D425	7C	
D426	7C	
D427	7C	
D428	7C	
D429	7C	
D430	7C	
D431	7C	
D432	7C	
D433	7C	
D434	7C	
D435	7C	
D436	7C	
D437	7C	
D438	7C	
D439	7C	
D440	7C	
D441	7C	
D442	7C	
D443	7C	
D444	7C	
D445	7C	
D446	7C	
D447	7C	
D448	7C	
D449	7C	
D450	7C	
D451	7C	
D452	7C	
D453	7C	
D454	7C	
D455	7C	
D456	7C	
D457	7C	
D458	7C	
D459	7C	
D460	7C	
D461	7C	
D462	7C	
D463	7C	
D464	7C	
D465	7C	
D466	7C	
D467	7C	
D468	7C	
D469	7C	
D470	7C	
D471	7C	
D472	7C	
D473	7C	
D474	7C	
D475	7C	
D476	7C	
D477	7C	
D478	7C	
D479	7C	
D480	7C	
D481	7C	
D482	7C	
D483	7C	
D484	7C	
D485	7C	
D486	7C	
D487	7C	
D488	7C	
D489	7C	
D490	7C	
D491	7C	
D492	7C	
D493	7C	
D494	7C	
D495	7C	
D496	7C	
D497	7C	
D498	7C	
D499	7C	
D500	7C	
D501	7C	
D502	7C	
D503	7C	
D504	7C	
D505	7C	
D506	7C	
D507	7C	
D508	7C	
D509	7C	
D510	7C	
D511	7C	
D512	7C	
D513	7C	
D514	7C	
D515	7C	
D516	7C	
D517	7C	
D518	7C	
D519	7C	
D520	7C	
D521	7C	
D522	7C	
D523	7C	
D524	7C	
D525	7C	
D526	7C	
D527	7C	
D528	7C	
D529	7C	
D530	7C	
D531	7C	
D532	7C	
D533	7C	
D534	7C	
D535	7C	
D536	7C	
D537	7C	
D538	7C	
D539	7C	
D540	7C	
D541	7C	
D542	7C	
D543	7C	
D544	7C	
D545	7C	
D546	7C	
D547	7C	
D548	7C	
D549	7C	
D550	7C	
D551	7C	
D552	7C	
D553	7C	
D554	7C	
D555	7C	
D556	7C	
D557	7C	
D558	7C	
D559	7C	
D560	7C	
D561	7C	
D562	7C	
D563	7C	
D564	7C	
D565	7C	
D566	7C	
D567	7C	
D568	7C	
D569	7C	
D570	7C	
D571	7C	
D572	7C	
D573	7C	
D574	7C	
D575	7C	
D576	7C	
D577	7C	
D578	7C	
D579	7C	
D580	7C	
D581	7C	
D582	7C	
D583	7C	
D584	7C	
D585	7C	
D586	7C	
D587	7C	
D588	7C	
D589	7C	
D590	7C	
D591	7C	
D592	7C	
D593	7C	
D594	7C	
D595	7C	
D596	7C	

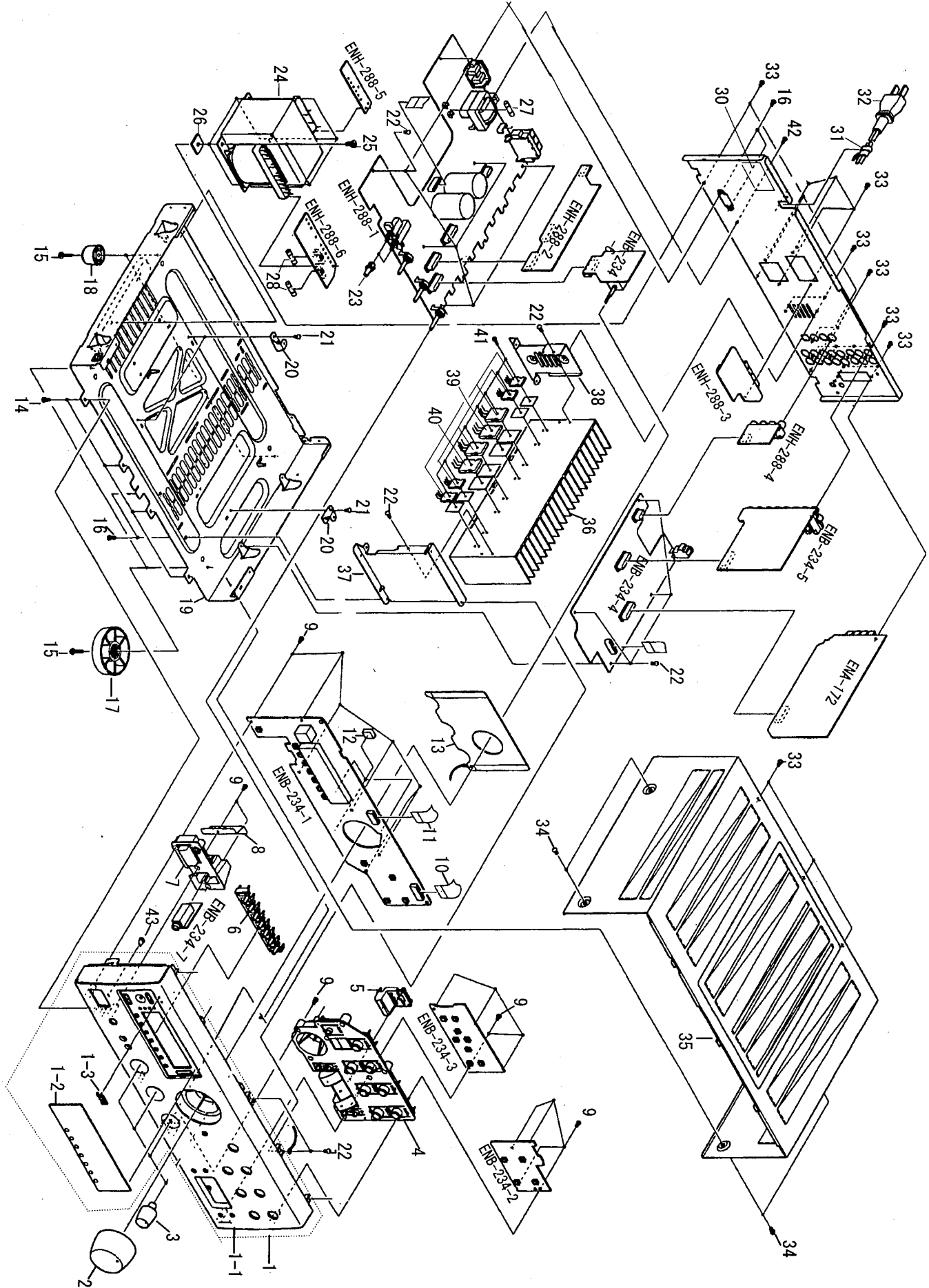
PARTS LIST

Note : All printed circuit board assemblies are not available as service parts.

Contents

General Exploded View and Parts List	2-2
Printed Circuit Board Ass'y and Parts List	2-4
■ ENH-288 Amplifier PC Board Ass'y	2-4
■ ENB-234 FL Display PC Board Ass'y	2-8
■ ENA-172 Tuner PC Board Ass'y	2-12
Accessories List	2-13
Packing Materials and Part Numbers	2-14

General Exploded View and Parts List



Parts List

△	Item	Parts Number	Parts Name	Q'ty	Description	Area
	1	EFP-RX518VBKJ(S)	FRONT PANEL ASS	1		
	1-1	E103158-001SM	FRONT PANEL	1		
	1-2	E309419-005SM	WINDOW SCREEN	1		
	1-3	VJD5429-001	JVC MARK	1		
	2	E309465-001SM	VOLUME KNOB	1		
	3	E309111-003SM	BALANCE KNOB	3		
	4	E208859-001SM	PUSH BUTTON	1	SOURCE	
	5	E409170-001SM	PUSH BUTTON	1		
	6	E309418-001SM	PUSH BUTTON	1	TUNER	
	7	E208860-001SM	POWER BUTTON	1	POWER	
	8	E409255-001	PROTECT COVER	1		
	9	SDSF2608Z	SCREW	16		
	10	VWF1217-25TTB	FLAT WIRE ASSY	1	FW403	
	11	VWF1213-25TTB	FLAT WIRE ASSY	1	FW801	
	12	E306805-122	SPACER	3		
	13	E309955-001	SHIELD PLATE	1		
	14	SDSF3008M	WOOD SCREW	4		
	15	SBST3010Z	TAPPING SCREW	4		
	16	SDSG3008M	TAPPING SCREW	4		
	17	VJF4039-00MSM	FOOT ASSY	2	FRONT FOOT	
	18	E47227-036	FOOT	2	REAR FOOT	
	19	E103157-001SM	CHASSIS BASE	1		
	20	E68587-223SM	P. W. BOARD BRACKET	3		
	21	SBST3006CC	TAPPING SCREW	3		
	22	SBSG3008CC	TAPPING SCREW	14		
	23	E407321-002SM	PUSH BUTTON	2		
△	24	ETP1200-72JAJ	POWER TRANSFORMER	1		
	25	E65389-006	SPECIAL SCREW	4		
	26	E406309-002	SPACER	4		
△	27	QMF0007-3R15J1	FUSE	1	F001	
△	28	QMF0007-2R0J1	FUSE	2	F811/F812	
	29	E208855-020SM	REAR PANEL	1		
	30	E65507-001	CAUTION LABEL	1		C
	30	E67199-001	CAUTION LABEL	1		J
△	31	QHS3771-108	CORD STOPPER	1		
△	32	QMP1480-200L	POWER CORD	1		
	33	E73273-006	SPECIAL SCREW	22		
	34	E406308-001	SPECIAL SCREW	4		
	35	E208858-002	METAL COVER	1		
	36	E309840-003SM	HEAT SINK	1		
	37	E208857-001SM	HEAT SINK BRACKET	1	FRONT SIDE	
	38	E309841-001SM	HEAT SINK BRACKET	1	REAR SIDE	
	39	2SA1633LD (D, E)	SI. TRANSISTOR	4	Q763/Q764/Q058/Q576	
	40	2SC4278LD (D, E)	SI. TRANSISTOR	4	Q761/Q762/Q57/Q575	
	41	E73525-003	SCREW	8		
	42	SBST3006M	TAPPING SCREW	1		
	43	FSJD4001-002	INDICATOR LENS	1		
	-	E408632-002	RATING LABEL	1		C

Electrical Parts List (ENH-288)

Δ	Item	Parts Number	Description	Area
		I. C. S		
	10501	LB1641	I. C (DIGI-OTHER)	
	10901	TA7317P	I. C (MONO-ANALOG)	
		DIODES		
	D007	MTZ6.2JC	ZENER DIODE	
	D008	1SS133	SI. DIODE	
	D021	1SR139-200	SI. DIODE	
	D022	1SR139-200	SI. DIODE	
	D023	1SR139-200	SI. DIODE	
	D024	1SR139-200	SI. DIODE	
	D053	1SS133	SI. DIODE	
	D061	1SS133	SI. DIODE	
	D062	1SS133	SI. DIODE	
	D065	1SS133	SI. DIODE	
	D081	1SS133	SI. DIODE	
	D553	1SS133	SI. DIODE	
	D563	1SS133	SI. DIODE	
	D585	1SS133	SI. DIODE	
	D586	1SS133	SI. DIODE	
	D591	1SS133	SI. DIODE	
	D703	1SS133	SI. DIODE	
	D704	1SS133	SI. DIODE	
	D781	1SS133	SI. DIODE	
	D782	1SS133	SI. DIODE	
	D783	1SS133	SI. DIODE	
	D784	1SS133	SI. DIODE	
	D801	30D2FC	GE. DIODE	
	D802	30D2FC	GE. DIODE	
	D803	30D2FC	GE. DIODE	
	D804	30D2FC	GE. DIODE	
	D805	30D2FC	GE. DIODE	
	D806	30D2FC	GE. DIODE	
	D807	30D2FC	GE. DIODE	
	D808	30D2FC	GE. DIODE	
	D811	1SR139-200	SI. DIODE	
	D812	1SR139-200	SI. DIODE	
	D813	1SS133	SI. DIODE	
	D814	1SS133	SI. DIODE	
	D840	MTZ10JC	ZENER DIODE	
	D841	MTZ16JC	ZENER DIODE	
	D842	1SS133	SI. DIODE	
	D885	MTZ6.2JC	ZENER DIODE	
	D891	MTZ6.8JC	ZENER DIODE	
	D892	1SS133	SI. DIODE	
	D901	1SS133	SI. DIODE	
	D902	1SS133	SI. DIODE	
	D921	1SS133	SI. DIODE	
	D925	1SS133	SI. DIODE	
	D951	1SS133	SI. DIODE	
	D952	1SS133	SI. DIODE	
		TRANSISTORS		
	Q002	2SC2235 (O, Y)	SI. TRANSISTOR	
	Q003	DTC114ES	DIGITAL TRANSISTOR	
	Q051	2SC2240 (BL)	SI. TRANSISTOR	
	Q052	2SC2240 (BL)	SI. TRANSISTOR	
	Q053	2SA1038 (R, S)	SI. TRANSISTOR	
	Q055	2SC2235 (O, Y)	SI. TRANSISTOR	
	Q056	2SA965 (Y)	SI. TRANSISTOR	
	Q059	2SC2389 (S, E)	SI. TRANSISTOR	
	Q061	2SC2389 (S, E)	SI. TRANSISTOR	
	Q062	2SA1038 (R, S)	SI. TRANSISTOR	
	Q551	2SC2240 (BL)	SI. TRANSISTOR	
	Q552	2SC2240 (BL)	SI. TRANSISTOR	
	Q561	2SA1038 (R, S)	SI. TRANSISTOR	
	Q573	2SC2235 (O, Y)	SI. TRANSISTOR	
	Q574	2SA965 (Y)	SI. TRANSISTOR	
	Q585	2SC2389 (S, E)	SI. TRANSISTOR	
	Q586	2SA1038 (R, S)	SI. TRANSISTOR	

Δ	Item	Parts Number	Description	Area
	Q591	2SC2389 (S, E)	SI. TRANSISTOR	
	Q701	2SC1775AV (F1)	SI. TRANSISTOR	
	Q702	2SC1775AV (F1)	SI. TRANSISTOR	
	Q703	2SC1775AV (F1)	SI. TRANSISTOR	
	Q704	2SC1775AV (F1)	SI. TRANSISTOR	
	Q707	2SA1038 (R, S)	SI. TRANSISTOR	
	Q708	2SA1038 (R, S)	SI. TRANSISTOR	
	Q741	2SD636	SI. TRANSISTOR	
	Q742	2SD636	SI. TRANSISTOR	
	Q751	2SC2389 (S, E)	SI. TRANSISTOR	
	Q752	2SC2389 (S, E)	SI. TRANSISTOR	
	Q753	2SA1038 (R, S)	SI. TRANSISTOR	
	Q754	2SA1038 (R, S)	SI. TRANSISTOR	
	Q755	2SC2235 (O, Y)	SI. TRANSISTOR	
	Q756	2SC2235 (O, Y)	SI. TRANSISTOR	
	Q757	2SA965 (Y)	SI. TRANSISTOR	
	Q758	2SA965 (Y)	SI. TRANSISTOR	
	Q781	2SC2389 (S, E)	SI. TRANSISTOR	
	Q782	2SC2389 (S, E)	SI. TRANSISTOR	
	Q783	2SA1038 (R, S)	SI. TRANSISTOR	
	Q784	2SA1038 (R, S)	SI. TRANSISTOR	
	Q801	DTC123YS	SI. TRANSISTOR	
	Q802	DTC144ES	DIGITAL TRANSISTOR	
	Q841	2SB1187 (F, G)	SI. TRANSISTOR	
	Q885	2SC2240 (GR, BL)	SI. TRANSISTOR	
	Q891	2SD2061 (F, G)	SI. TRANSISTOR	
	Q901	2SC2389 (S, E)	SI. TRANSISTOR	
	Q902	2SC2389 (S, E)	SI. TRANSISTOR	
	Q903	2SA1038 (R, S)	SI. TRANSISTOR	
	Q951	DTC123YS	SI. TRANSISTOR	
		CAPACITORS		
	C001	QFN82AK-472	4700PF 100V METAL. MYLAR	
	C002	QETB1EM-227	220MF 25V AL. E. CAP.	
Δ	C011	QCZ9019-472	4700PF C. CAP.	
	C023	QETB1CM-476	47MF 16V AL. E. CAP.	
	C051	QETB1HM-106	10MF 50V E. CAP.	
	C052	QCS21HJ-271A	270PF 50V CER. CAP.	
	C053	QCS21HJ-101A	100PF 50V CER. CAP.	
	C057	QCS21HJ-100	10PF 50V CER. CAP.	
	C058	QETB1CM-476	47MF 16V AL. E. CAP.	
	C061	QETB1HM-225	2.2MF 50V AL. E. CAP.	
	C062	QFLB1HJ-103	0.01MF 50V MYLAR CAP.	
	C063	QCS22HJ-330	33PF 500V CER. CAP.	
	C064	QETB1HM-476	47MF 50V E. CAP.	
	C067	QETB2AM-106	10MF 100V AL. E. CAP.	
	C071	QCS22HJ-470A	47PF 500V CER. CAP.	
	C072	QCS22HJ-470A	47PF 500V CER. CAP.	
	C093	QFLB1HJ-223	0.022MF 50V MYLAR CAP.	J
	C093	QFLB1HJ-473	0.047MF 50V MYLAR CAP.	C
	C094	QFLB1HJ-473	0.047MF 50V MYLAR CAP.	C
	C511	QCHB1EZ-223	0.022MF 25V CER. CAP.	
	C521	QFLB1HJ-332	3300PF 50V MYLAR CAP.	
	C522	QFLB1HJ-332	3300PF 50V MYLAR CAP.	
	C523	QFLB1HJ-183	0.018MF 50V MYLAR CAP.	
	C524	QFLB1HJ-183	0.018MF 50V MYLAR CAP.	
	C531	QETB1HM-105	1MF 50V AL. E. CAP.	
	C532	QETB1HM-105	1MF 50V AL. E. CAP.	
	C533	QFLB1HJ-153	0.015MF 50V MYLAR CAP.	
	C534	QFLB1HJ-153	0.015MF 50V MYLAR CAP.	
	C535	QFLB1HJ-823	0.082MF 50V MYLAR CAP.	
	C536	QFLB1HJ-823	0.082MF 50V MYLAR CAP.	
	C537	QETB1HM-105	1MF 50V AL. E. CAP.	
	C538	QETB1HM-105	1MF 50V AL. E. CAP.	
	C551	QETB1HM-106	10MF 50V E. CAP.	
	C552	QCS21HJ-271A	270PF 50V CER. CAP.	
	C553	QCS21HJ-101A	100PF 50V CER. CAP.	
	C556	QCY31HK-152Z	1500PF 50V CER. CAP.	
	C557	QCS21HJ-100	10PF 50V CER. CAP.	

Electrical Parts List (ENH-288)

△	Item	Parts Number	Description	Area
	C558	QETB1CM-476	47MF 16V AL E. CAP.	
	C561	QETB1HM-225	2.2MF 50V AL E. CAP.	
	C562	QCS22HJ-330	33PF 500V CER. CAP.	
	C563	QFLB1HJ-103	0.01MF 50V MYLAR CAP.	
	C564	QETB1HM-476	47MF 50V E. CAP.	
	C571	QCS22HJ-470A	47PF 500V CER. CAP.	
	C572	QCS22HJ-470A	47PF 500V CER. CAP.	
	C581	QFLB1HJ-223	0.022MF 50V MYLAR CAP.	J
	C581	QFLB1HJ-473	0.047MF 50V MYLAR CAP.	C
	C582	QFLB1HJ-473	0.047MF 50V MYLAR CAP.	C
	C599	QETB1HM-476	47MF 50V E. CAP.	
	C671	QETB0JM-108N	1000MF 6.3V E. CAP.	
	C672	QETB0JM-108N	1000MF 6.3V E. CAP.	
	C673	QETB1HM-475E	4.7MF 50V E. CAP.	
	C674	QETB1HM-475E	4.7MF 50V E. CAP.	
	C701	QETB1HM-106	10MF 50V E. CAP.	
	C702	QETB1HM-106	10MF 50V E. CAP.	
	C703	QCS21HJ-271A	270PF 50V CER. CAP.	
	C704	QCS21HJ-271A	270PF 50V CER. CAP.	
	C705	QCS21HJ-101A	100PF 50V CER. CAP.	
	C706	QCS21HJ-101A	100PF 50V CER. CAP.	
	C711	QETB1CM-476	47MF 16V AL E. CAP.	
	C712	QETB1CM-476	47MF 16V AL E. CAP.	
	C713	QCS21HJ-100	10PF 50V CER. CAP.	
	C714	QCS21HJ-100	10PF 50V CER. CAP.	
	C717	QCY31HK-152Z	1500PF 50V CER. CAP.	
	C718	QCY31HK-152Z	1500PF 50V CER. CAP.	
	C721	QCS22HJ-220	22PF 500V CER. CAP.	
	C722	QCS22HJ-220	22PF 500V CER. CAP.	
	C723	QETB1HM-225	2.2MF 50V AL E. CAP.	
	C724	QETB1HM-225	2.2MF 50V AL E. CAP.	
	C725	QETB1HM-226E	22MF 50V E. CAP.	
	C726	QETB1HM-226E	22MF 50V E. CAP.	
	C727	QFLB1HJ-472	4700PF 50V MYLAR CAP.	
	C728	QFLB1HJ-472	4700PF 50V MYLAR CAP.	
	C739	QETB1JM-107	100MF 63V AL E. CAP.	
	C751	QCS22HJ-470A	47PF 500V CER. CAP.	
	C752	QCS22HJ-470A	47PF 500V CER. CAP.	
	C771	QFLB1HJ-473	0.047MF 50V MYLAR CAP.	C
	C772	QFLB1HJ-473	0.047MF 50V MYLAR CAP.	C
	C773	QFLB1HJ-223	0.022MF 50V MYLAR CAP.	J
	C773	QFLB1HJ-473	0.047MF 50V MYLAR CAP.	C
	C774	QFLB1HJ-223	0.022MF 50V MYLAR CAP.	J
	C774	QFLB1HJ-473	0.047MF 50V MYLAR CAP.	C
	C801	QEZO225-478	4700MF E. CAP.	
	C802	QEZO225-478	4700MF E. CAP.	
	C803	QCE22HP-103A	0.01MF 500V CER. CAP.	
	C804	QCE22HP-103A	0.01MF 500V CER. CAP.	
	C805	QCE22HP-103A	0.01MF 500V CER. CAP.	
	C806	QCE22HP-103A	0.01MF 500V CER. CAP.	
	C807	QCE22HP-103A	0.01MF 500V CER. CAP.	
	C810	QFN81HJ-823	0.082MF 50V METAL MYLAR	
	C811	QETB1VM-228N	2200MF 35V E. CAP.	
	C812	QFN82AJ-104	0.1MF 100V MYLAR CAP.	
	C813	QFN82AJ-104	0.1MF 100V MYLAR CAP.	
	C840	QETB1HM-476	47MF 50V E. CAP.	
	C841	QETB1HM-476	47MF 50V E. CAP.	
	C854	QETB1EM-107	100MF 25V AL E. CAP.	
	C885	QETB1HM-105	1MF 50V AL E. CAP.	
	C896	QETB1EM-107	100MF 25V AL E. CAP.	
	C903	QETB1HM-226E	22MF 50V E. CAP.	
	C904	QCY31HK-102Z	1000PF 50V CER. CAP.	
	C905	QETB1AM-476	47MF 10V E. CAP.	
	C906	QCF21HP-103A	0.01MF 50V CER. CAP.	
	C909	QETB1CM-226	22MF 16V E. CAP.	
	C925	QETB1HM-225	2.2MF 50V AL E. CAP.	
		RESISTORS		
△	R001	QRC128K-275EM	2.7M 1/2W COMPOSIT ION	

△	Item	Parts Number	Description	Area
△	R011	QRD14CJ-100SX	10 1/4W UNF. CARBON R	
	R013	QRD14CJ-821SX	820 1/4W CARBON RES.	
△	R015	QRD14CJ-100SX	10 1/4W UNF. CARBON R	
	R051	QRD161J-222	2.2K 1/6W CARBON RES.	
	R052	QRD161J-104	100K 1/6W CARBON RES.	
	R053	QRD161J-202	2K 1/6W CARBON RES.	
	R054	QRD161J-202	2K 1/6W CARBON RES.	
	R055	QRD161J-123	12K 1/6W CARBON RES.	
	R057	QRD161J-104	100K 1/6W CARBON RES.	
	R058	QRD167J-751	750 1/6W CARBON RES.	
△	R061	QRD14CJ-181S	180 1/4W UNF. CARBON R	
	R062	QRD167J-272	2.7K 1/6W CARBON RES.	
	R063	QRD167J-272	2.7K 1/6W CARBON RES.	
	R064	QRD167J-272	2.7K 1/6W CARBON RES.	
	R065	QRD167J-272	2.7K 1/6W CARBON RES.	
	R067	QRD14CJ-331SX	330 1/4W UNF. CARBON R	
	R068	QRD14CJ-331SX	330 1/4W UNF. CARBON R	
△	R072	QRD14CJ-561SX	560 1/4W UNF. CARBON R	
△	R073	QRD14CJ-100SX	10 1/4W UNF. CARBON R	
△	R074	QRD14CJ-100SX	10 1/4W UNF. CARBON R	
△	R077	ERF032K-R22	0.22 3W CEM. RES.	
△	R078	QRD125J-330	33 1/2W UNF. CARBON R	
	R081	QRD161J-102	1K 1/6W CARBON RES.	
	R082	QRD161J-183	18K 1/6W CARBON RES.	
	R083	QRD161J-123	12K 1/6W CARBON RES.	
	R090	ERT-D2WHL202S	2K 1/4W NEGATIVE THE	
	R091	QRD161J-820	82 1/6W CARBON RES.	
	R092	QRD161J-391	390 1/6W CARBON RES.	
	R093	QRD161J-181	180 1/6W CARBON RES.	
	R094	QRD161J-181	180 1/6W CARBON RES.	
	R095	QRD161J-391	390 1/6W CARBON RES.	
	R096	QRD161J-391	390 1/6W CARBON RES.	
△	R097	QRGO22J-100A	10 2W OXIDE METAL	
	R098	QRD161J-104	100K 1/6W CARBON RES.	
	R511	QRD161J-102	1K 1/6W CARBON RES.	
	R512	QRD161J-242	2.4K 1/6W CARBON RES.	
	R523	QRD161J-472	4.7K 1/6W CARBON RES.	
	R524	QRD161J-472	4.7K 1/6W CARBON RES.	
	R525	QRD161J-122	1.2K 1/6W CARBON RES.	
	R526	QRD161J-122	1.2K 1/6W CARBON RES.	
	R533	QRD161J-203	20K 1/6W CARBON RES.	
	R534	QRD161J-203	20K 1/6W CARBON RES.	
	R535	QRD161J-362	3.6K 1/6W CARBON RES.	
	R536	QRD161J-362	3.6K 1/6W CARBON RES.	
	R551	QRD161J-222	2.2K 1/6W CARBON RES.	
	R552	QRD161J-104	100K 1/6W CARBON RES.	
	R553	QRD161J-202	2K 1/6W CARBON RES.	
	R554	QRD161J-202	2K 1/6W CARBON RES.	
	R555	QRD167J-113	11K 1/6W CARBON RES.	
	R556	QRD161J-101	100 1/6W CARBON RES.	
	R557	QRD161J-823	82K 1/6W CARBON RES.	
	R558	QRD167J-751	750 1/6W CARBON RES.	
	R560	QRD161J-133Y	13K 1/6W CARBON RES.	
△	R561	QRD14CJ-221S	220 1/4W UNF. CARBON R	
	R562	QRD161J-820	82 1/6W CARBON RES.	
	R563	QRD167J-272	2.7K 1/6W CARBON RES.	
	R564	QRD167J-272	2.7K 1/6W CARBON RES.	
	R565	QRD167J-272	2.7K 1/6W CARBON RES.	
	R566	QRD167J-272	2.7K 1/6W CARBON RES.	
	R567	QRD161J-391	390 1/6W CARBON RES.	
	R568	ERT-D2WHL202S	2K 1/4W NEGATIVE THE	
△	R569	QRD14CJ-100SX	10 1/4W UNF. CARBON R	
△	R570	QRD14CJ-100SX	10 1/4W UNF. CARBON R	
△	R571	QRD14CJ-100SX	10 1/4W UNF. CARBON R	
△	R572	QRD14CJ-100SX	10 1/4W UNF. CARBON R	
△	R575	QRD14CJ-100SX	10 1/4W UNF. CARBON R	
△	R576	QRD14CJ-100SX	10 1/4W UNF. CARBON R	
△	R577	ERF032K-R22	0.22 3W CEM. RES.	

Electrical Parts List (ENH-288)

△	Item	Parts Number	Description	Area
△	R578	QRD14CJ-561SX	560 1/4W UNF. CARBON R	
△	R581	QRD125J-330	33 1/2W UNF. CARBON R	
△	R582	QRG022J-100A	10 2W OXIDE METAL	
	R585	QRD161J-181	180 1/6W CARBON RES.	
	R586	QRD161J-181	180 1/6W CARBON RES.	
	R587	QRD161J-391	390 1/6W CARBON RES.	
	R588	QRD161J-391	390 1/6W CARBON RES.	
	R591	QRD161J-102	1K 1/6W CARBON RES.	
	R592	QRD161J-183	18K 1/6W CARBON RES.	
	R593	QRD161J-123	12K 1/6W CARBON RES.	
	R594	QRD161J-104	100K 1/6W CARBON RES.	
	R661	QRD161J-750	75 1/6W CARBON RES.	
	R662	QRD161J-750	75 1/6W CARBON RES.	
	R663	QRD161J-750	75 1/6W CARBON RES.	
	R664	QRD161J-750	75 1/6W CARBON RES.	
	R665	QRD161J-473	47K 1/6W CARBON RES.	
	R666	QRD161J-473	47K 1/6W CARBON RES.	
	R667	QRD161J-331	330 1/6W CARBON RES.	
	R668	QRD161J-331	330 1/6W CARBON RES.	
	R701	QRD161J-222	2.2K 1/6W CARBON RES.	
	R702	QRD161J-222	2.2K 1/6W CARBON RES.	
	R703	QRD161J-104	100K 1/6W CARBON RES.	
	R704	QRD161J-104	100K 1/6W CARBON RES.	
	R705	QRD161J-202	2K 1/6W CARBON RES.	
	R706	QRD161J-202	2K 1/6W CARBON RES.	
	R707	QRD161J-202	2K 1/6W CARBON RES.	
	R708	QRD161J-202	2K 1/6W CARBON RES.	
	R709	QRD161J-133Y	13K 1/6W CARBON RES.	
	R710	QRD161J-133Y	13K 1/6W CARBON RES.	
	R711	QRD167J-751	750 1/6W CARBON RES.	
	R712	QRD167J-751	750 1/6W CARBON RES.	
	R713	QRD161J-133Y	13K 1/6W CARBON RES.	
	R714	QRD161J-133Y	13K 1/6W CARBON RES.	
	R715	QRD161J-823	82K 1/6W CARBON RES.	
	R716	QRD161J-823	82K 1/6W CARBON RES.	
	R717	QRD161J-101	100 1/6W CARBON RES.	
	R718	QRD161J-101	100 1/6W CARBON RES.	
	R721	QRD14CJ-151SX	150 1/4W UNF. CARBON R	
	R722	QRD14CJ-151SX	150 1/4W UNF. CARBON R	
	R727	QRD167J-272	2.7K 1/6W CARBON RES.	
	R728	QRD167J-272	2.7K 1/6W CARBON RES.	
	R729	QRD167J-272	2.7K 1/6W CARBON RES.	
	R730	QRD167J-272	2.7K 1/6W CARBON RES.	
	R731	QRD167J-272	2.7K 1/6W CARBON RES.	
	R732	QRD167J-272	2.7K 1/6W CARBON RES.	
	R733	QRD167J-272	2.7K 1/6W CARBON RES.	
	R734	QRD167J-272	2.7K 1/6W CARBON RES.	
△	R739	QRD14CJ-100SX	10 1/4W UNF. CARBON R	
△	R740	QRD14CJ-100SX	10 1/4W UNF. CARBON R	
	R743	QRD167J-152	1.5K 1/6W CARBON RES.	
	R744	QRD167J-152	1.5K 1/6W CARBON RES.	
	R745	QRD161J-391	390 1/6W CARBON RES.	
	R746	QRD161J-391	390 1/6W CARBON RES.	
	R747	QRD161J-102	1K 1/6W CARBON RES.	
	R748	QRD161J-102	1K 1/6W CARBON RES.	
	R749	ERT-D2WHL202S	2K 1/4W NEGATIVE THE	
	R750	ERT-D2WHL202S	2K 1/4W NEGATIVE THE	
△	R751	QRD14CJ-100SX	10 1/4W UNF. CARBON R	
△	R752	QRD14CJ-100SX	10 1/4W UNF. CARBON R	
△	R753	QRD14CJ-100SX	10 1/4W UNF. CARBON R	
△	R754	QRD14CJ-100SX	10 1/4W UNF. CARBON R	
△	R755	QRD14CJ-100SX	10 1/4W UNF. CARBON R	
△	R756	QRD14CJ-100SX	10 1/4W UNF. CARBON R	
△	R757	QRD14CJ-100SX	10 1/4W UNF. CARBON R	
△	R758	QRD14CJ-100SX	10 1/4W UNF. CARBON R	
△	R759	QRD14CJ-272S	2.7K 1/4W UNF. CARBON R	
△	R760	QRD14CJ-272S	2.7K 1/4W UNF. CARBON R	
△	R765	QRD14CJ-271S	270 1/4W UNF. CARBON R	

△	Item	Parts Number	Description	Area
△	R766	QRD14CJ-271S	270 1/4W UNF. CARBON R	
△	R767	QRD14CJ-100SX	10 1/4W UNF. CARBON R	
△	R768	QRD14CJ-100SX	10 1/4W UNF. CARBON R	
△	R769	QRD14CJ-100SX	10 1/4W UNF. CARBON R	
△	R770	QRD14CJ-100SX	10 1/4W UNF. CARBON R	
△	R771	ERF032K-R22	0.22 3W CEM. RES.	
△	R772	ERF032K-R22	0.22 3W CEM. RES.	
△	R773	QRD125J-330	33 1/2W UNF. CARBON R	
△	R774	QRD125J-330	33 1/2W UNF. CARBON R	
△	R775	QRG022J-100A	10 2W OXIDE METAL	
△	R776	QRG022J-100A	10 2W OXIDE METAL	
	R781	QRD161J-181	180 1/6W CARBON RES.	
	R782	QRD161J-181	180 1/6W CARBON RES.	
	R783	QRD161J-181	180 1/6W CARBON RES.	
	R784	QRD161J-181	180 1/6W CARBON RES.	
	R785	QRD161J-181	180 1/6W CARBON RES.	
	R786	QRD161J-181	180 1/6W CARBON RES.	
	R787	QRD161J-181	180 1/6W CARBON RES.	
	R788	QRD161J-181	180 1/6W CARBON RES.	
	R801	QRD161J-104	100K 1/6W CARBON RES.	
	R802	QRD161J-104	100K 1/6W CARBON RES.	
△	R808	QRD14CJ-1R0SX	1 1/4W UNF. CARBON R	
△	R812	QRD14CJ-220S	22 1/4W UNF. CARBON R	
	R820	QRD167J-332	3.3K 1/6W CARBON RES.	
△	R840	QRD14CJ-220S	22 1/4W UNF. CARBON R	
△	R841	QRD14CJ-100SX	10 1/4W UNF. CARBON R	
	R842	QRD14CJ-822S	8.2K 1/4W UNF. CARBON R	
	R845	QRD14CJ-102SX	1K 1/4W UNF. CARBON R	
△	R853	QRX012J-2R2AF	2.2 1W METAL FILM R	
△	R854	QRD12CJ-822S	8.2K 1/2W NETWORK RES.	
△	R881	QRD14CJ-100SX	10 1/4W UNF. CARBON R	
	R885	QRD161J-104	100K 1/6W CARBON RES.	
△	R891	QRD14CJ-100SX	10 1/4W UNF. CARBON R	
△	R892	QRD14CJ-272S	2.7K 1/4W UNF. CARBON R	
	R901	QRD161J-102	1K 1/6W CARBON RES.	
	R902	QRD161J-102	1K 1/6W CARBON RES.	
	R903	QRD167J-153	15K 1/6W CARBON RES.	
	R904	QRD167J-153	15K 1/6W CARBON RES.	
	R905	QRD161J-123	12K 1/6W CARBON RES.	
	R906	QRD161J-123	12K 1/6W CARBON RES.	
	R909	QRD161J-104	100K 1/6W CARBON RES.	
	R910	QRD161J-823	82K 1/6W CARBON RES.	
	R911	QRD167J-332	3.3K 1/6W CARBON RES.	
	R912	QRD161J-473	47K 1/6W CARBON RES.	
	R913	QRD161J-103	10K 1/6W CARBON RES.	
	R915	QRD161J-823	82K 1/6W CARBON RES.	
	R916	QRD161J-563	56K 1/6W CARBON RES.	
	R917	QRD161J-683	68K 1/6W CARBON RES.	
	R918	QRD161J-392	3.9K 1/6W CARBON RES.	
	R919	QRD161J-122	1.2K 1/6W CARBON RES.	
	R920	QRD161J-224	220K 1/6W CARBON RES.	
△	R921	QRD14CJ-470SX	47 1/4W UNF. CARBON R	
	R925	QRD167J-562	5.6K 1/6W CARBON RES.	
	R926	QRD167J-822	8.2K 1/6W CARBON RES.	
	R927	QRD161J-103	10K 1/6W CARBON RES.	
△	R951	QRD14CJ-220S	22 1/4W UNF. CARBON R	
△	R961	QRG022J-471A	470 2W OXIDE METAL	
△	R962	QRG022J-471A	470 2W OXIDE METAL	
	VR511	QVDA96W-E15DJ3	100K VARIABLE RE	
	VR521	QVDB96C-E15CJ3	100K VARIABLE RE	
	VR531	QVDB96C-E15CJ3	100K VARIABLE RE	
	VR741	QVPA601-501A	500 TRIMMER RES.	
	VR742	QVPA601-501A	500 TRIMMER RES.	
		OTHERS		
		EMW10626-003	CIR. BOARD	
		QWE881-16RR	VINYL WIRE	
		QWE886-16RR	PIN WIRE	
		SBSG3008CC	TAPPING SCREW	

Electrcal Parts List (ENH-288)

△	Item	Parts Number	Description	Area
	J661	EMN00YV-406AJ1	PIN JACK	
	L051	EQL0011-R45J1	INDUCTOR	
	L581	EQL0011-R45J1	INDUCTOR	
	L771	EQL0011-R45J1	INDUCTOR	
	L772	EQL0011-R45J1	INDUCTOR	
	S901	QSP6002-E02J2	PUSH SWITCH	
△	T002	ETP1000-41JA	POWER TRASNFORMER	
	AC001	QMAC001-E02S	AC OUTLET	
	CN313	EMV5163-005R	CONNECTOR	
	CN521	EMV7163-011	CONNECT TERMINAL	
	CN701	EMV5163-010R	CONNECT TERMINAL	
	CN702	EMV5163-010R	CONNECT TERMINAL	
	CN703	EMV5163-005R	CONNECTOR	
	CN711	EMV7163-010	CONNECT TERMINAL	
	CN712	EMV7163-010	CONNECT TERMINAL	
	CN713	EMV7163-005	CONNECTOR	
	CN801	VMC0163-013	CONNECT TERMINAL	
	CN852	EMV7145-003Z	SOCKET ASSY	
	CN853	EMV7145-003Z	SOCKET ASSY	
	CN961	EMV7145-003Z	SOCKET ASSY	
	EP491	E409182-001SM	EARTH TERMINAL	
	EP501	EMZ4002-001Z	EARTH PLATE	
	EP700	EMZ4002-001Z	EARTH PLATE	
	FC101	EMG7331-003Z	FUSE CLIP	
	FC102	EMG7331-003Z	FUSE CLIP	
	FC810	EMG7331-003Z	FUSE CLIP	
	FC811	EMG7331-003Z	FUSE CLIP	
	FC812	EMG7331-003Z	FUSE CLIP	
	FC813	EMG7331-003Z	FUSE CLIP	
	FW801	EWR3AD-13SS	FLAT WIRE ASSY	
	FW901	EWR36D-40SS	CORD	
	HS003	E70306-001	HEAT SINK	
	PW961	EWT015-006	TERMINAL WIRE	
	RY001	ESK1D12-119J3	RELAY	
	RY801	ESK1D12-119J3	RELAY	
	RY802	ESK1D12-119J3	RELAY	
	RY901	ESK7D24-213R	RELAY	
	RY951	ESK7D24-213R	RELAY	
	ST901	FMMJ4002-001	SPEAKER TERMINAL	
	ST951	EMB90TV-601G	SPEAKER TERMINAL	
	TA001	EMZ4001-001	TAB	
	TA002	EMZ4001-001	TAB	
	TP001	QMV5005-004K	PLUG ASSY	

Electrical Parts List (ENB-234)

△	Item	Parts Number	Description	Area
		I. C. S		
	IC301	NJM4580DD	I. C (MONO-ANALOG)	
	IC321	TC9164N	I. C (DIGI-MOS)	
	IC341	BA15218N	I. C (MONO-ANALOG)	
	IC361	BA15218N	I. C (MONO-ANALOG)	
	IC401	MN171202K8F	I. C (MICRO-COMPUTER)	
	IC402	SPS-420-1	INFRARED DETECT UNIT	
	IC403	PST600E-T	I. C (MONO-ANALOG)	
	IC475	NJM79L12A	I. C (MONO-ANALOG)	
	IC601	LA2785	I. C (MONO-ANALOG)	
	IC641	LV1011	I. C (MONO-ANALOG)	
	IC661	NJM2246D	I. C (MONO-ANALOG)	
		DIODES		
	D401	1SS133	SI. DIODE	
	D402	1SS133	SI. DIODE	
	D403	1SS133	SI. DIODE	
	D404	1SS133	SI. DIODE	
	D411	SLR-342DCTE7	L. E. D.	
	D412	SLR-342DCTE7	L. E. D.	
	D413	SLR-342DCTE7	L. E. D.	
	D414	SLR-56VCTB7	L. E. D.	
	D421	1SS133	SI. DIODE	
	D422	1SS133	SI. DIODE	
	D423	1SS133	SI. DIODE	
	D424	1SS133	SI. DIODE	
	D425	1SS133	SI. DIODE	
	D426	1SS133	SI. DIODE	
	D431	1SS133	SI. DIODE	
	D451	1SS133	SI. DIODE	
	D471	MTZ9.1JC	ZENER DIODE	
	D474	MTZ12JC	ZENER DIODE	
	D851	MTZ16JC	ZENER DIODE	
	D852	1SS133	SI. DIODE	
		TRANSISTORS		
	Q351	2SC2001 (L, K)	SI. TRANSISTOR	
	Q352	2SC2001 (L, K)	SI. TRANSISTOR	
	Q361	2SC2001 (L, K)	SI. TRANSISTOR	
	Q362	2SC2001 (L, K)	SI. TRANSISTOR	
	Q371	DTA144ES	DIGITAL TRANSISTOR	
	Q401	DTC114YS	DIGITAL TRANSISTOR	
	Q402	DTC114YS	DIGITAL TRANSISTOR	
	Q403	DTC114YS	DIGITAL TRANSISTOR	
	Q404	DTC114YS	DIGITAL TRANSISTOR	
	Q405	DTC114YS	DIGITAL TRANSISTOR	
	Q411	DTC114YS	DIGITAL TRANSISTOR	
	Q412	DTC114YS	DIGITAL TRANSISTOR	
	Q451	DTC114TN	DIGITAL TRANSISTOR	
	Q452	DTC144WS	DIGITAL TRANSISTOR	
	Q507	2SC2001 (L, K)	SI. TRANSISTOR	
	Q508	2SC2001 (L, K)	SI. TRANSISTOR	
	Q509	DTA144ES	DIGITAL TRANSISTOR	
	Q661	2SC458 (C, D)	SI. TRANSISTOR	
	Q662	2SC458 (C, D)	SI. TRANSISTOR	
	Q663	2SA933S (RS)	SI. TRANSISTOR	
	Q664	2SA933S (RS)	SI. TRANSISTOR	
	Q681	DTC143ES	DIGITAL TRANSISTOR	
	Q852	2SD2061 (F, G)	SI. TRANSISTOR	
		CAPACITORS		
	C300	QCHB1EZ-223	0.022MF 25V CER. CAP.	
	C301	QETB1HM-475E	4.7MF 50V E. CAP.	
	C302	QETB1HM-475E	4.7MF 50V E. CAP.	
	C303	QCBBIHK-101Y	100PF 50V CER. CAP.	
	C304	QCBBIHK-101Y	100PF 50V CER. CAP.	
	C305	QFN81HK-182	1800PF 50V METAL MYLAR	
	C306	QFN81HK-182	1800PF 50V METAL MYLAR	
	C307	QFN31HK-682Z	6800PF 50V MYLAR CAP.	
	C308	QFN31HK-682Z	6800PF 50V MYLAR CAP.	
	C309	QCBBIHK-101Y	100PF 50V CER. CAP.	

△	Item	Parts Number	Description	Area
	C310	QCBBIHK-101Y	100PF 50V CER. CAP.	
	C311	QETB1HM-475E	4.7MF 50V E. CAP.	
	C312	QETB1HM-475E	4.7MF 50V E. CAP.	
	C313	QETB1AM-107	100MF 10V AL. E. CAP.	
	C314	QETB1AM-107	100MF 10V AL. E. CAP.	
	C315	QETB1CM-476	47MF 16V AL. E. CAP.	
	C316	QETB1CM-476	47MF 16V AL. E. CAP.	
	C319	QCBBIHK-331Y	330PF 50V CER. CAP.	
	C320	QCBBIHK-331Y	330PF 50V CER. CAP.	
	C323	QCHB1EZ-223	0.022MF 25V CER. CAP.	
	C324	QCHB1EZ-223	0.022MF 25V CER. CAP.	
	C325	QCBBIHK-221Y	220PF 50V CER. CAP.	
	C341	QETB1HM-106	10MF 50V E. CAP.	
	C342	QETB1HM-106	10MF 50V E. CAP.	
	C351	QETB1HM-225	2.2MF 50V AL. E. CAP.	
	C352	QETB1HM-225	2.2MF 50V AL. E. CAP.	
	C363	QETB1HM-225	2.2MF 50V AL. E. CAP.	
	C364	QETB1HM-225	2.2MF 50V AL. E. CAP.	
	C375	QETB1HM-475E	4.7MF 50V E. CAP.	
	C381	QCBBIHK-331Y	330PF 50V CER. CAP.	
	C382	QCBBIHK-331Y	330PF 50V CER. CAP.	
	C385	QCBBIHK-331Y	330PF 50V CER. CAP.	
	C386	QCBBIHK-331Y	330PF 50V CER. CAP.	
	C387	QCBBIHK-331Y	330PF 50V CER. CAP.	
	C388	QCBBIHK-331Y	330PF 50V CER. CAP.	
	C393	QCBBIHK-331Y	330PF 50V CER. CAP.	
	C394	QCBBIHK-331Y	330PF 50V CER. CAP.	
	C395	QCBBIHK-331Y	330PF 50V CER. CAP.	
	C396	QCBBIHK-331Y	330PF 50V CER. CAP.	
	C397	QCBBIHK-331Y	330PF 50V CER. CAP.	
	C398	QCBBIHK-331Y	330PF 50V CER. CAP.	
	C401	QETB1AM-227	220MF 10V E. CAP.	
	C402	QZ0202-155	1.5MF 25V CER. RES.	
	C403	QCHB1EZ-223	0.022MF 25V CER. CAP.	
	C404	QETB1HM-225	2.2MF 50V AL. E. CAP.	
	C409	QEA0HZ-10AZM	AL. E. CAP.	
	C410	QETB1VM-227	220MF 35V AL. E. CAP.	
	C451	QCBBIHK-331Y	330PF 50V CER. CAP.	
	C474	QETB1EM-107	100MF 25V AL. E. CAP.	
	C475	QETB1EM-107	100MF 25V AL. E. CAP.	
	C476	QEK51HM-334G	0.33MF 50V AL. E. CAP.	
	C478	QETB1HM-105	1MF 50V AL. E. CAP.	
	C483	QCF21HP-103A	0.01MF 50V CER. CAP.	
	C483	QCVB1CM-103Y	0.01MF 16V CER. CAP.	
	C491	QCBBIHK-331Y	330PF 50V CER. CAP.	
	C501	QETB1HM-226E	22MF 50V E. CAP.	
	C507	QFN81HJ-333	0.033MF 50V MYLAR CAP.	
	C508	QFN81HJ-333	0.033MF 50V MYLAR CAP.	
	C514	QCF21HP-473A	0.047MF 50V CER. CAP.	
	C601	QETB1HM-105	1MF 50V AL. E. CAP.	
	C602	QETB1HM-105	1MF 50V AL. E. CAP.	
	C603	QFLB1HJ-104	0.1MF 50V MYLAR CAP.	
	C604	QFLB1HJ-104	0.1MF 50V MYLAR CAP.	
	C605	QFLB1HJ-104	0.1MF 50V MYLAR CAP.	
	C606	QFLB1HJ-104	0.1MF 50V MYLAR CAP.	
	C607	QETB1HM-474	0.47MF 50V E. CAP.	
	C608	QETB1HM-474	0.47MF 50V E. CAP.	
	C609	QETB1HM-475E	4.7MF 50V E. CAP.	
	C610	QETB1HM-475E	4.7MF 50V E. CAP.	
	C611	QETB1HM-474	0.47MF 50V E. CAP.	
	C612	QETB1HM-474	0.47MF 50V E. CAP.	
	C613	QETB1HM-475E	4.7MF 50V E. CAP.	
	C614	QETB1HM-475E	4.7MF 50V E. CAP.	
	C615	QFV81HJ-154	0.15MF 50V THIN FILM CA	
	C616	QFV81HJ-154	0.15MF 50V THIN FILM CA	
	C617	QETB1HM-335	3.3MF 50V AL. E. CAP.	
	C618	QETB1HM-335	3.3MF 50V AL. E. CAP.	
	C619	QFV81HJ-154	0.15MF 50V THIN FILM CA	

Electrical Parts List (ENB-234)

△	Item	Parts Number	Description	Area
	C620	QFV81HJ-154	0.15MF 50V THIN FILM CA	
	C621	QFN81HJ-223	0.022MF 50V METAL. MYLAR	
	C622	QFN81HJ-473	0.047MF 50V METAL. MYLAR	
	C623	QETB1EM-227	220MF 25V AL E. CAP.	
	C624	QETB1EM-106	10MF 25V AL E. CAP.	
	C625	QETB1EM-106	10MF 25V AL E. CAP.	
	C626	QETB1EM-106	10MF 25V AL E. CAP.	
	C627	QETB1EM-106	10MF 25V AL E. CAP.	
	C628	QETB1EM-227	220MF 25V AL E. CAP.	
	C631	QETB1EM-476	47MF 25V AL E. CAP.	
	C632	QFV71HJ-474ZM	0.47MF 50V THIN FILM CA	
	C633	QCS31HJ-681Z	680PF 50V CER. CAP.	
	C634	QETB1EM-227	220MF 25V AL E. CAP.	
	C641	QETB1EM-106	10MF 25V AL E. CAP.	
	C642	QETB1EM-227	220MF 25V AL E. CAP.	
	C643	QETB1HM-225	2.2MF 50V AL E. CAP.	
	C645	QFN81HJ-333	0.033MF 50V MYLAR CAP.	
	C646	QFN81HJ-152	1500PF 50V METAL. MYLAR	
	C647	QFN81HJ-333	0.033MF 50V MYLAR CAP.	
	C648	QETB1HM-105	1MF 50V AL E. CAP.	
	C650	QETB1EM-227	220MF 25V AL E. CAP.	
	C651	QCSB1HJ-330Y	33PF 50V CER. CAP.	
	C652	QCSB1HJ-330Y	33PF 50V CER. CAP.	
	C653	QCHB1EZ-223	0.022MF 25V CER. CAP.	
	C655	QETB1HM-225	2.2MF 50V AL E. CAP.	
	C656	QETB1HM-225	2.2MF 50V AL E. CAP.	
	C661	QETB1CM-107	100MF 16V AL E. CAP.	
	C662	QCHB1EZ-223	0.022MF 25V CER. CAP.	
	C663	QCHB1EZ-223	0.022MF 25V CER. CAP.	
	C853	QETB1EM-107	100MF 25V AL E. CAP.	
	C961	QCBB1HK-331Y	330PF 50V CER. CAP.	
	C962	QCBB1HK-331Y	330PF 50V CER. CAP.	
		RESISTORS		
	R301	QRD161J-222	2.2K 1/6W CARBON RES.	
	R302	QRD161J-222	2.2K 1/6W CARBON RES.	
	R303	QRD161J-473	47K 1/6W CARBON RES.	
	R304	QRD161J-473	47K 1/6W CARBON RES.	
	R305	QRD161J-621	620 1/6W CARBON RES.	
	R306	QRD161J-621	620 1/6W CARBON RES.	
	R307	QRD161J-393	39K 1/6W CARBON RES.	
	R308	QRD161J-393	39K 1/6W CARBON RES.	
	R309	QRD161J-474	470K 1/6W CARBON RES.	
	R310	QRD161J-474	470K 1/6W CARBON RES.	
	R311	QRD161J-104	100K 1/6W CARBON RES.	
	R312	QRD161J-104	100K 1/6W CARBON RES.	
	R313	QRD161J-331	330 1/6W CARBON RES.	
	R314	QRD161J-331	330 1/6W CARBON RES.	
	R325	QRD161J-102	1K 1/6W CARBON RES.	
	R341	QRD161J-104	100K 1/6W CARBON RES.	
	R342	QRD161J-104	100K 1/6W CARBON RES.	
	R343	QRD161J-104	100K 1/6W CARBON RES.	
	R344	QRD161J-104	100K 1/6W CARBON RES.	
	R351	QRD161J-473	47K 1/6W CARBON RES.	
	R352	QRD161J-473	47K 1/6W CARBON RES.	
	R353	QRD161J-104	100K 1/6W CARBON RES.	
	R354	QRD161J-104	100K 1/6W CARBON RES.	
	R355	QRD161J-102	1K 1/6W CARBON RES.	
	R356	QRD161J-102	1K 1/6W CARBON RES.	
	R357	QRD161J-103	10K 1/6W CARBON RES.	
	R358	QRD161J-103	10K 1/6W CARBON RES.	
	R361	QRD161J-104	100K 1/6W CARBON RES.	
	R362	QRD161J-104	100K 1/6W CARBON RES.	
	R363	QRD161J-243	24K 1/6W CARBON RES.	
	R364	QRD161J-243	24K 1/6W CARBON RES.	
	R365	QRD161J-103	10K 1/6W CARBON RES.	
	R366	QRD161J-103	10K 1/6W CARBON RES.	
	R369	QRD161J-104	100K 1/6W CARBON RES.	
	R370	QRD161J-104	100K 1/6W CARBON RES.	
	R371	QRD161J-102	1K 1/6W CARBON RES.	
	R372	QRD161J-102	1K 1/6W CARBON RES.	
	R373	QRD161J-222	2.2K 1/6W CARBON RES.	
	R374	QRD161J-222	2.2K 1/6W CARBON RES.	
	R375	QRD161J-102	1K 1/6W CARBON RES.	
	R381	QRD161J-471	470 1/6W CARBON RES.	
	R382	QRD161J-471	470 1/6W CARBON RES.	
	R385	QRD161J-471	470 1/6W CARBON RES.	
	R386	QRD161J-471	470 1/6W CARBON RES.	
	R387	QRD161J-471	470 1/6W CARBON RES.	
	R388	QRD161J-471	470 1/6W CARBON RES.	
	R393	QRD161J-471	470 1/6W CARBON RES.	
	R394	QRD161J-471	470 1/6W CARBON RES.	
	R395	QRD161J-471	470 1/6W CARBON RES.	
	R396	QRD161J-471	470 1/6W CARBON RES.	
	R397	QRD161J-471	470 1/6W CARBON RES.	
	R398	QRD161J-471	470 1/6W CARBON RES.	
	R401	QRD161J-104	100K 1/6W CARBON RES.	
	R402	QRD161J-104	100K 1/6W CARBON RES.	
	R409	QRD161J-331	330 1/6W CARBON RES.	
	R410	QRD167J-223	22K 1/6W CARBON RES.	
	R411	QRD161J-221	220 1/6W CARBON RES.	
	R412	QRD161J-221	220 1/6W CARBON RES.	
	R413	QRD161J-221	220 1/6W CARBON RES.	
	R414	QRD167J-431	430 1/6W CARBON RES.	
	R416	QRD161J-472	4.7K 1/6W CARBON RES.	
	R417	QRD161J-103	10K 1/6W CARBON RES.	
	R418	QRD161J-472	4.7K 1/6W CARBON RES.	
	R421	QRD161J-221	220 1/6W CARBON RES.	
	R422	QRD161J-221	220 1/6W CARBON RES.	
	R423	QRD161J-221	220 1/6W CARBON RES.	
	R424	QRD161J-221	220 1/6W CARBON RES.	
	R425	QRD161J-221	220 1/6W CARBON RES.	
	R426	QRD161J-221	220 1/6W CARBON RES.	
	R427	QRD161J-221	220 1/6W CARBON RES.	
	R428	QRD161J-221	220 1/6W CARBON RES.	
	R429	QRD161J-221	220 1/6W CARBON RES.	
	R430	QRD161J-221	220 1/6W CARBON RES.	
	R431	QRD161J-221	220 1/6W CARBON RES.	
	R432	QRD161J-221	220 1/6W CARBON RES.	
	R433	QRD161J-221	220 1/6W CARBON RES.	
	R434	QRD161J-221	220 1/6W CARBON RES.	
	R435	QRD161J-221	220 1/6W CARBON RES.	
	R436	QRD161J-221	220 1/6W CARBON RES.	
	R437	QRD161J-221	220 1/6W CARBON RES.	
	R438	QRD161J-221	220 1/6W CARBON RES.	
	R439	QRD161J-221	220 1/6W CARBON RES.	
	R440	QRD161J-221	220 1/6W CARBON RES.	
	R441	QRD161J-221	220 1/6W CARBON RES.	
	R451	QRD161J-103	10K 1/6W CARBON RES.	
	R454	QRD161J-471	470 1/6W CARBON RES.	
△	R471	QRG022J-680AM	68 2W OXIDE METAL	
	R474	QRG022J-180AF	18 2W OXIDE METAL	
	R491	QRD161J-221	220 1/6W CARBON RES.	
	R492	QRD161J-471	470 1/6W CARBON RES.	
	R501	QRD161J-202	2K 1/6W CARBON RES.	
	R503	QRD167J-223	22K 1/6W CARBON RES.	
	R504	QRD167J-223	22K 1/6W CARBON RES.	
	R505	QRD167J-223	22K 1/6W CARBON RES.	
	R506	QRD167J-223	22K 1/6W CARBON RES.	
	R507	QRD161J-103	10K 1/6W CARBON RES.	
	R508	QRD161J-103	10K 1/6W CARBON RES.	
	R641	QRD161J-102	1K 1/6W CARBON RES.	
	R642	QRD161J-102	1K 1/6W CARBON RES.	
	R643	QRD161J-203	20K 1/6W CARBON RES.	
	R644	QRD161J-393	39K 1/6W CARBON RES.	
	R651	QRD161J-105	1M 1/6W CARBON RES.	
	R669	QRD167J-152	1.5K 1/6W CARBON RES.	

Electrical Parts List (ENB-234)

Δ	Item	Parts Number	Description	Area
	R671	QRD167J-151	150 1/6W CARBON RES.	
	R672	QRD167J-151	150 1/6W CARBON RES.	
	R675	QRD161J-271	270 1/6W CARBON RES.	
	R676	QRD161J-271	270 1/6W CARBON RES.	
	R683	QRD167J-152	1.5K 1/6W CARBON RES.	
	RA401	QRB049J-103	10K 1/10WRES.	
	VR551	QVDC94Z-E15FJ5	100K VARIABLE RE	
		OTHERS		
		EMW10625-003	PRINTED BOARD	
		SBSG3008CC	TAPPING SCREW	
	J301	EMN00TV-422AJ2	PIN JACK	
	J302	EMN00TV-422AJ2	PIN JACK	
	J303	EMN00TV-615AJ2	PIN JACK	
	J491	QMS3501-021	PIN JACK	
	J961	QMS6022-V01	MICROPHONE JACK	
	S401	ESP0001-023M	TACT SWITCH	
	S402	ESP0001-023M	TACT SWITCH	
	S403	ESP0001-023M	TACT SWITCH	
	S404	ESP0001-023M	TACT SWITCH	
	S405	ESP0001-023M	TACT SWITCH	
	S406	ESP0001-023M	TACT SWITCH	
	S408	ESP0001-023M	TACT SWITCH	
	S409	ESP0001-023M	TACT SWITCH	
	S410	ESP0001-023M	TACT SWITCH	
	S411	ESP0001-023M	TACT SWITCH	
	S412	ESP0001-023M	TACT SWITCH	
	S413	ESP0001-023M	TACT SWITCH	
	S414	ESP0001-023M	TACT SWITCH	
	S415	ESP0001-023M	TACT SWITCH	
	S416	ESP0001-023M	TACT SWITCH	
	S417	ESP0001-023M	TACT SWITCH	
	S418	ESP0001-023M	TACT SWITCH	
	S419	ESP0001-023M	TACT SWITCH	
	S420	ESP0001-023M	TACT SWITCH	
	S421	ESP0001-023M	TACT SWITCH	
	S422	ESP0001-023M	TACT SWITCH	
	S423	ESP0001-023M	TACT SWITCH	
	S424	ESP0001-023M	TACT SWITCH	
	X401	ECXPBR0-001ZA	CRYSTAL	
	X641	ECXPBR0-001Z	CRYSTAL	
	CN301	EMV7163-012	CONNECT TERMINAL	
	CN302	EMV7163-011	CONNECT TERMINAL	
	CN303	EMV7163-005	CONNECTOR	
	CN312	EMV5163-011R	CONNECT TERMINAL	
	CN401	VMC0194-P04	CONNECT TERMINAL	
	CN402	VMC0194-S06	CONNECT TERMINAL	
	CN403	VMC0163-R17	CONNECT TERMINAL	
	CN411	VMC0194-S04	CONNECT TERMINAL	
	CN412	VMC0194-P06	CONNECT TERMINAL	
	CN413	EMV7123-017	CONNECTOR	
	CN511	EMV5163-011R	CONNECT TERMINAL	
	CN601	EWS296-0125	SOCKET WIRE ASSY	
	CN611	EMV5109-006A	CONNECT TERMINAL	
	CN811	VMC0163-R13	CONNECT TERMINAL	
	D1401	ELU0001-144	FLUORESCENT DISPLAY TUBE	
	FH001	E308270-002SM	FL. HOLDER	
	FH002	E308270-002SM	FL. HOLDER	
	FS483	E3400-431	FELT SPACER	
	FW851	EWR36D-35LS	FLAT WIRE ASSY	
	FW961	EWR33D-35LS	FLAT WIRE ASSY	
	HS002	E70945-H40B	HEAT SINK	
	SP001	E3400-444	FELT SPACER	
	SP002	E3400-444	FELT SPACER	

Electrical Parts List (ENA-172)

Δ	Item	Parts Number	Description	Area
		I. C. S		
	IC102	LC72131	I. C (M)	
	IC104	LA1266A	I. C (MONO-ANALOG)	
	IC105	LA3401	I. C (MONO-ANALOG)	
		DIODES		
	D101	1SS133	SI. DIODE	
	D106	1SS133	SI. DIODE	
	D111	1SS133	SI. DIODE	
	D112	1SS133	SI. DIODE	
	D120	1SS133	SI. DIODE	
	D121	1SS133	SI. DIODE	
	D122	1SS133	SI. DIODE	
	D123	1SS133	SI. DIODE	
	VC105	SVC342 (L)	VARI-CAPA DIODE	
		TRANSISTORS		
	Q103	2SC461	SI. TRANSISTOR	
	Q107	2SC535	SI. TRANSISTOR	
	Q108	2SC461	SI. TRANSISTOR	
	Q112	2SK301 (P, Q)	F. E. T.	
	Q123	DTA144ES	DIGITAL TRANSISTOR	
	Q124	DTA144ES	DIGITAL TRANSISTOR	
	Q127	DTC144ES	DIGITAL TRANSISTOR	
		CAPACITORS		
	C101	QCF21HP-223A	0.022MF 50V CER. CAP.	
	C122	QCF21HP-223A	0.022MF 50V CER. CAP.	
	C126	QCF21HP-223A	0.022MF 50V CER. CAP.	
	C132	QCS31HJ-561Z	560PF 50V CER. CAP.	
	C133	QCHB1EZ-223	0.022MF 25V CER. CAP.	
	C134	QETB1EM-106	10MF 25V AL. E. CAP.	
	C135	QCC21EM-223	0.022MF 25V CER. CAP.	
	C136	QCT25CH-180Z	18PF 50V CER. CAP.	
	C137	QCT26CH-221	220PF 50V CER. CAP.	
	C138	QCT26CH-241	240PF 50V CER. CAP.	
	C149	QCHB1EZ-223	0.022MF 25V CER. CAP.	
	C150	QCHB1EZ-223	0.022MF 25V CER. CAP.	
	C151	QCF21HP-223A	0.022MF 50V CER. CAP.	
	C152	QCF21HP-223A	0.022MF 50V CER. CAP.	
	C153	QCC21EM-223	0.022MF 25V CER. CAP.	
	C154	QCF21HP-223A	0.022MF 50V CER. CAP.	
	C155	QCHB1EZ-223	0.022MF 25V CER. CAP.	
	C156	QETB1CM-227	220MF 16V AL. E. CAP.	
	C157	QETB1HM-474	0.47MF 50V E. CAP.	
	C158	QCBB1HK-101Y	100PF 50V CER. CAP.	
	C159	QCBB1HK-101Y	100PF 50V CER. CAP.	
	C160	QCBB1HK-221Y	220PF 50V CER. CAP.	
	C161	QCHB1EZ-223	0.022MF 25V CER. CAP.	
	C162	QETB1EM-106	10MF 25V AL. E. CAP.	
	C163	QFLB1HJ-102	1000PF 50V MYLAR CAP.	
	C164	QCHB1EZ-223	0.022MF 25V CER. CAP.	
	C165	QETB1HM-474	0.47MF 50V E. CAP.	
	C166	QETB1HM-225	2.2MF 50V AL. E. CAP.	
	C167	QETB1HM-225	2.2MF 50V AL. E. CAP.	
	C168	QEK51HM-475	4.7MF 50V AL. E. CAP.	
	C169	QCF21HP-223A	0.022MF 50V CER. CAP.	
	C170	QCHB1EZ-223	0.022MF 25V CER. CAP.	
	C171	QEK51EM-106	10MF 25V AL. E. CAP.	
	C172	QCVB1CM-103Y	0.01MF 16V CER. CAP.	
	C173	QFLB1HJ-393	0.039MF 50V MYLAR CAP.	
	C174	QFLB1HJ-473	0.047MF 50V MYLAR CAP.	
	C175	QETB1EM-106	10MF 25V AL. E. CAP.	
	C176	QCY31HK-102Z	1000PF 50V CER. CAP.	
	C177	QCS31HJ-821Z	820PF 50V CER. CAP.	
	C178	QCS31HJ-821Z	820PF 50V CER. CAP.	
	C179	QETB1HM-225	2.2MF 50V AL. E. CAP.	
	C180	QETB1HM-225	2.2MF 50V AL. E. CAP.	
	C181	QETB1EM-106	10MF 25V AL. E. CAP.	
	C182	QETB1HM-225	2.2MF 50V AL. E. CAP.	
	C183	QETB1HM-105	1MF 50V AL. E. CAP.	

Δ	Item	Parts Number	Description	Area
	C184	QETB1HM-105	1MF 50V AL. E. CAP.	
	C185	QEK51HM-225G	2.2MF 50V AL. E. CAP.	
	C186	QETB1HM-474	0.47MF 50V E. CAP.	
	C191	QETB1HM-475E	4.7MF 50V E. CAP.	
	C192	QCC21EM-473	0.047MF 25V CER. CAP.	
	C193	QCS21HJ-180A	18PF 50V CER. CAP.	
	C194	QCS21HJ-180A	18PF 50V CER. CAP.	
	C195	QFV71HJ-474ZM	0.47MF 50V THIN FILM CA	
	C196	QCY31HK-102Z	1000PF 50V CER. CAP.	
	C197	QCF21HP-223A	0.022MF 50V CER. CAP.	
	C198	QCF21HP-103A	0.01MF 50V CER. CAP.	
	C199	QCVB1CM-103Y	0.01MF 16V CER. CAP.	
	C222	QETB1CM-477M	470MF 16V E. CAP.	
	C229	QETB1CM-227	220MF 16V AL. E. CAP.	
	TC105	ENZ1003-006	00MF TRIMMER CAPA	
		RESISTORS		
	R101	QRD161J-103	10K 1/6W CARBON RES.	
	R102	QRD161J-103	10K 1/6W CARBON RES.	
	R103	QRD161J-103	10K 1/6W CARBON RES.	
	R105	QRD161J-103	10K 1/6W CARBON RES.	
	R108	QRD161J-103	10K 1/6W CARBON RES.	
Δ	R109	QRD140J-680SX	68 1/4W UNF. CARBON R	
	R118	QRD167J-332	3.3K 1/6W CARBON RES.	
	R119	QRD161J-221	220 1/6W CARBON RES.	
	R121	QRD161J-391	390 1/6W CARBON RES.	
	R122	QRD167J-272	2.7K 1/6W CARBON RES.	
	R123	QRD161J-102	1K 1/6W CARBON RES.	
	R124	QRD161J-681	680 1/6W CARBON RES.	
	R125	QRD167J-332	3.3K 1/6W CARBON RES.	
	R126	QRD161J-221	220 1/6W CARBON RES.	
	R131	QRD161J-331	330 1/6W CARBON RES.	
	R132	QRD161J-103	10K 1/6W CARBON RES.	
	R133	QRD161J-473	47K 1/6W CARBON RES.	
	R135	QRD161J-470	47 1/6W CARBON RES.	
	R136	QRD161J-103	10K 1/6W CARBON RES.	
	R146	QRD167J-560	56 1/6W CARBON RES.	
	R147	QRD161J-103	10K 1/6W CARBON RES.	
	R148	QRD161J-103	10K 1/6W CARBON RES.	
	R149	QRD161J-273	27K 1/6W CARBON RES.	
	R150	QRD161J-103	10K 1/6W CARBON RES.	
	R151	QRD161J-222	2.2K 1/6W CARBON RES.	
	R153	QRD161J-103	10K 1/6W CARBON RES.	
	R154	QRD161J-103	10K 1/6W CARBON RES.	
	R155	QRD167J-562	5.6K 1/6W CARBON RES.	
	R156	QRD167J-822	8.2K 1/6W CARBON RES.	
	R157	QRD161J-103	10K 1/6W CARBON RES.	
	R158	QRD161J-183	18K 1/6W CARBON RES.	
	R159	QRD161J-561	560 1/6W CARBON RES.	
	R160	QRD167J-562	5.6K 1/6W CARBON RES.	
	R161	QRD161J-823	82K 1/6W CARBON RES.	
	R162	QRD161J-823	82K 1/6W CARBON RES.	
	R163	QRD161J-472	4.7K 1/6W CARBON RES.	
	R164	QRD161J-472	4.7K 1/6W CARBON RES.	
	R165	QRD161J-184	180K 1/6W CARBON RES.	
	R166	QRD161J-184	180K 1/6W CARBON RES.	
	R167	QRD161J-393	39K 1/6W CARBON RES.	
	R168	QRD161J-103	10K 1/6W CARBON RES.	
	R169	QRD161J-103	10K 1/6W CARBON RES.	
	R171	QRD167J-682	6.8K 1/6W CARBON RES.	
	R172	QRD167J-682	6.8K 1/6W CARBON RES.	
	R180	QRD161J-103	10K 1/6W CARBON RES.	
	R181	QRD161J-222	2.2K 1/6W CARBON RES.	
	R190	QRD161J-103	10K 1/6W CARBON RES.	
	R191	QRD167J-562	5.6K 1/6W CARBON RES.	
	R194	QRD161J-103	10K 1/6W CARBON RES.	
	R195	QRD161J-473	47K 1/6W CARBON RES.	
	R197	QRD161J-222	2.2K 1/6W CARBON RES.	
	R198	QRD167J-822	8.2K 1/6W CARBON RES.	

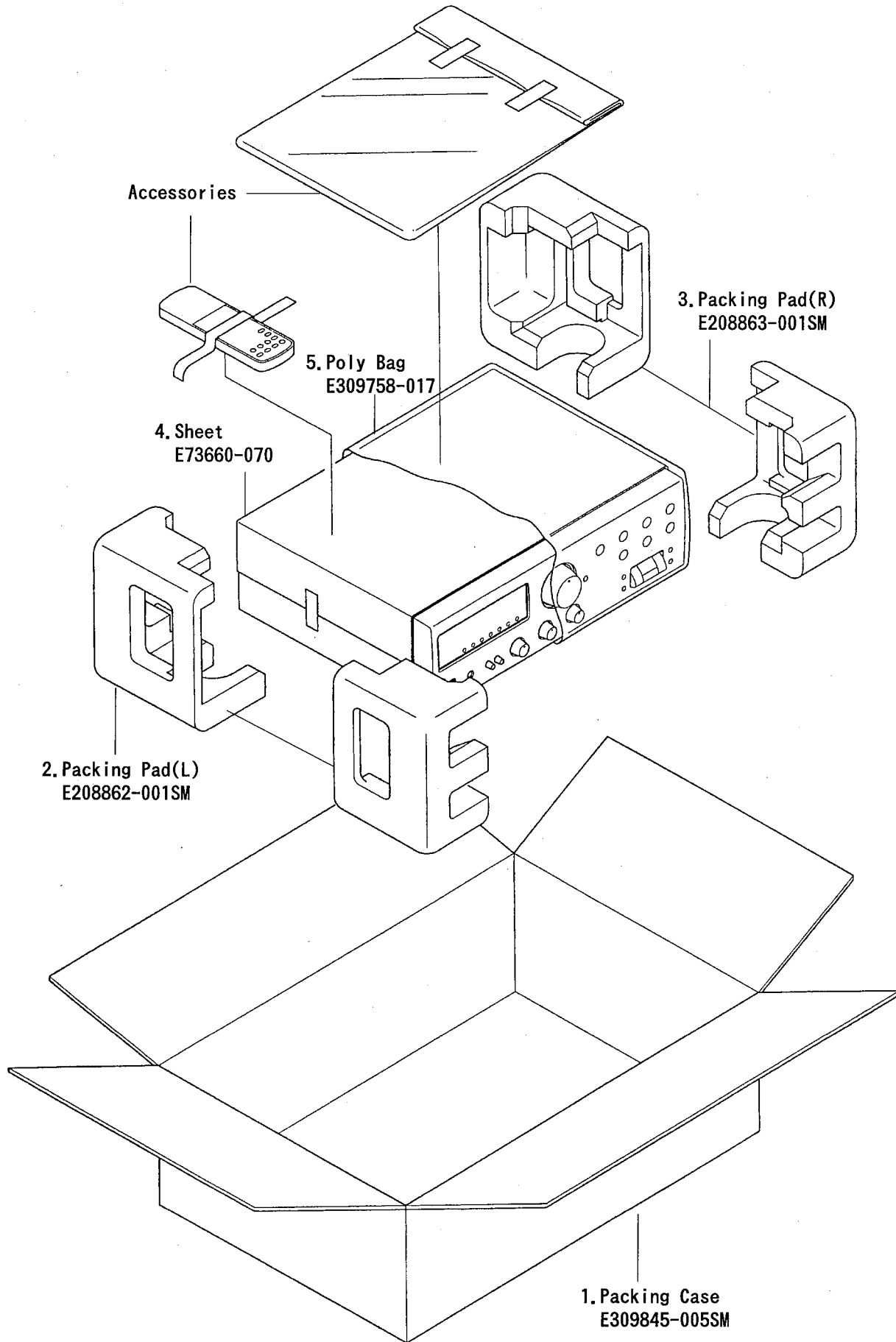
Electrical Parts List (ENA-172)

Δ	Item	Parts Number	Description	Area
	R199	QRD161J-472	4.7K 1/6W CARBON RES.	
		OTHERS		
		EMW10604-003	PRINTED BOARD	
	L106	EQL3001-102K	INDUCTOR	
	L120	EQL4007-1R0	INDUCTOR	
	T101	EQR1111-014	RF COIL	
	T103	EQR1207-017	RF COIL	
	T105	EQT2140-017	I. F. TRANSFORMER	
	T107	ECB1560-010	CERAMIC FILTER	
	AT101	FMMB10YV-401K	ANTENNA TERMINAL	
	CF101	ECB2123-006R	CERAMIC FILTER	
	CF102	ECB2123-006R	CERAMIC FILTER	
	CN011	EMV5163-012R	CONNECT TERMINAL	
	FE101	EAF2203-004	FRONT END	
	LP101	EQF0101-002	LOWPASS FILTER	
	XT102	ECX0007-200KWJ1	CRYSTAL	
	XT103	ECX0000-456KR	CERAMIC RESONATOR	

Accessoris List

△	Item	Parts Number	Parts Name	Q'ty	Description	Area
	1	E30580-2455A	INSTRUCTION BOOK	1		J
	1	E30580-2456A	INSTRUCTION BOOK	1		C
	2	RM-SR518U	WIRE-LESS REMOTE CONTROL	1		
	3	R6PRPA-2STSA	DRY CELL	1		
	4	EWP201-011	ANTENNA WIRE	1		
	5	EQB4001-015	LOOP ANTENNA	1		
	6	E309758-001	POLY BAG	1		
	-	BT-20044G	SAFETY SHEET	1		J
	-	BT-20071B	SERVICE NETWORK	1		C
	-	BT-51006-1	REGISTER CARD	1		J
	-	BT-52002-1	WARRANTY CARD	1		C

Packing Materials and Part Numbers





JVC

VICTOR COMPANY OF JAPAN, LIMITED
AUDIO PRODUCT DIVISION, , 1644, SHIMOTSURUMA, YAMATO - SHI, KANAGAWA - KEN, 242, JAPAN

